



A331

Hopper Lift Cable Weight Portable Grain Auger Installation Instructions

This manual applies to:

AGI Westfield MKX², X², MKX, X 10/13 Series

AGI X², X 10/13 Series

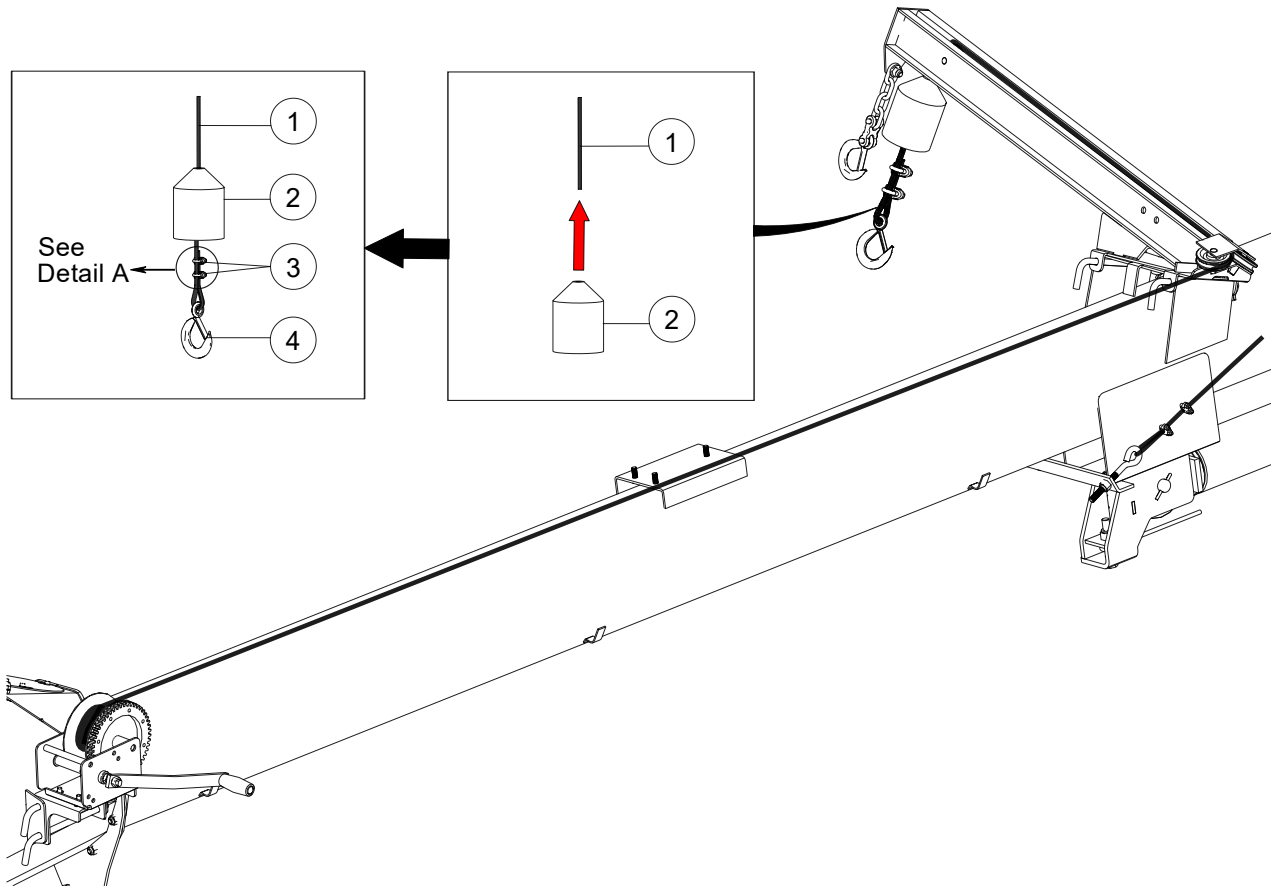
AGI Hutchinson HX², HX 10/13 Series

AGI Mayrath HX², HX 10/13 Series

Attaching the Lift Cable Weight

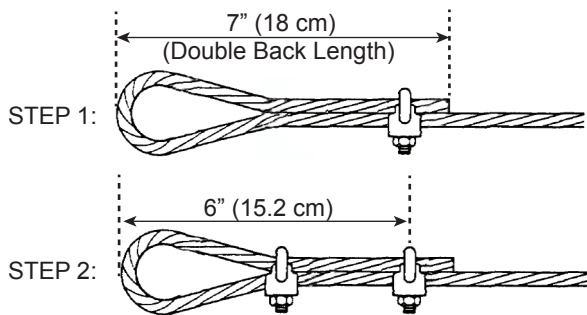
MKX/X/HX Series

1. Remove the two cable clamps and eye hook from the hopper winch cable.
2. Thread the hopper winch cable through the cylindrical cable weight.
3. Re-attach the eye hook to the cable and double back 7" (18 cm) of cable.
4. Secure the cable in place by installing and tightening the two existing 1/4" cable clamps.
 - a. Apply the first clamp 6" (15.2 cm) from the cable loop with u-bolt over the dead end. Live end rests in clamp saddle. Tighten nuts evenly to recommended torque of 15 ft·lb.
 - b. Apply second clamp as close to loop as possible with the u-bolt over the dead end. Live end rests in clamp saddle. Apply tension and tighten nuts evenly to recommended torque of 15 ft·lb.



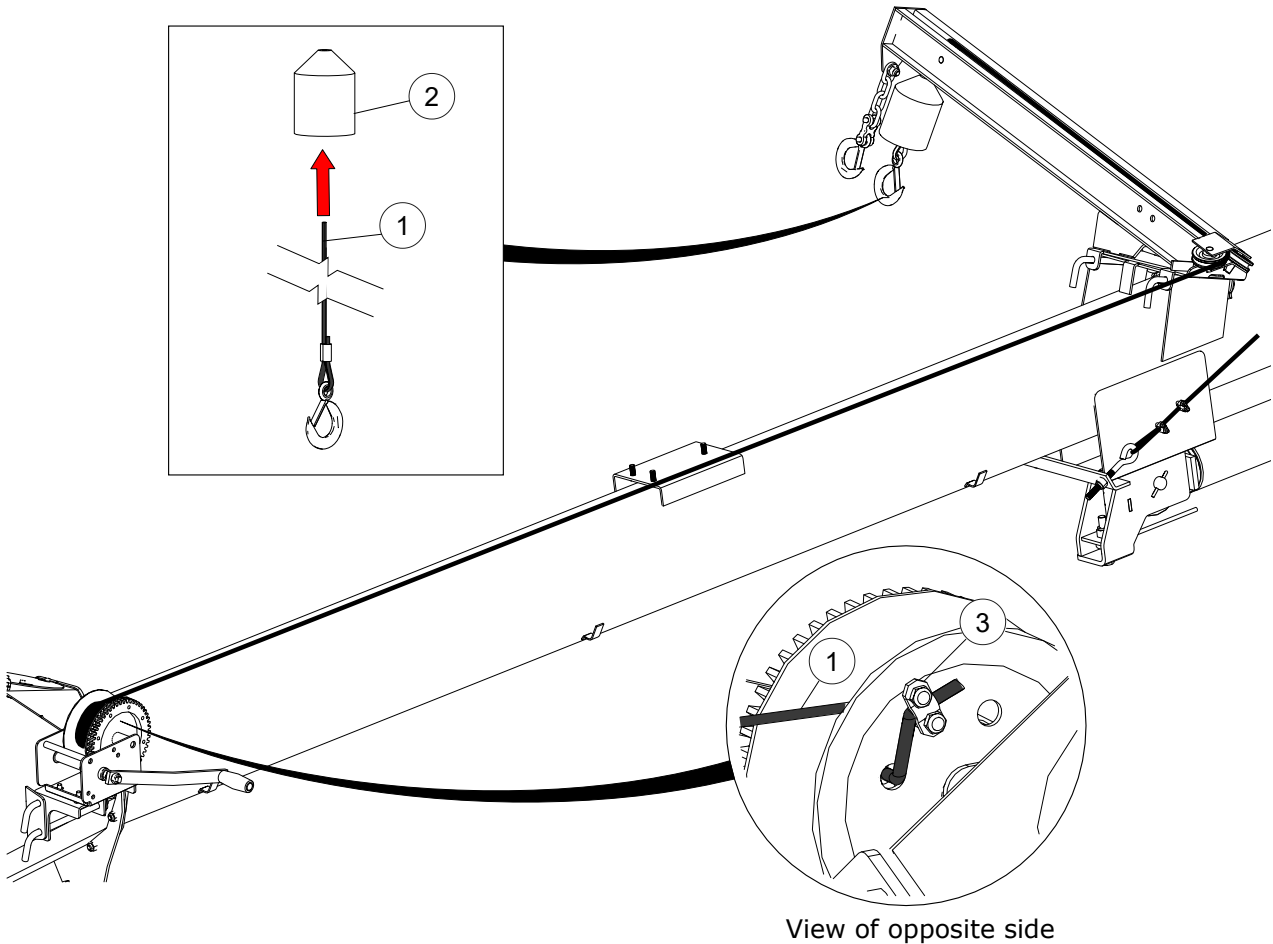
1	Winch Cable	3	Cable Clamp
2	Cable Weight	4	Eye Hook

Detail A - Install the Cable Clamp



MKX²/X²/HX² Series

1. Unwind the cable from the winch spool.
2. Disconnect the cable from the spool by loosening or removing the cable clamp and pull the cable free from the hopper lift arm.
3. Thread the hopper winch cable through the cylindrical cable weight.
4. Thread the cable through the hopper lift arm and pull the cable to the winch.
5. Wrap the cable over and around the winch spool at least three times, then insert the cable end through the hole provided in the side of the spool and secure the end with the cable clamp.



1	Winch Cable	3	Cable Clamp
2	Cable Weight		

AGI is a leading provider of equipment solutions for agriculture bulk commodities including seed, fertilizer, grain, and feed systems with a growing platform in providing equipment and solutions for food processing facilities. AGI has manufacturing facilities in Canada, the United States, the United Kingdom, Brazil, South Africa, India and Italy and distributes its products globally.



P.O. Box 39, Rosenort, Manitoba, R0G 1W0 Canada
 P 866.467.7207 (Canada & USA) or 204.746.2396 | F 866.768.4852 | E sales@grainaugers.com

AGGROWTH.COM aggrowthintl
 ©Ag Growth International Inc. 2023 | Printed in Canada