

# Hutchinson/Mayrath ASSEMBLY INSTRUCTIONS

The following instructions are to be used for assistance with the set-up and installation of equipment, accessories, and serviceable parts used on this machinery and are not meant to replace any operating or safety procedures as outlined in the Operator's Manual included with the auger.



**This safety symbol is used throughout these instructions to alert you to information about unsafe actions or situations, and will be followed by the word DANGER, WARNING, or CAUTION. Be Alert! Your safety and the safety of others is involved.**

**DANGER** - Indicates immediate hazards that may result in severe injury or death. **WARNING** - Indicates unsafe actions or situations that may cause severe injury, death and/or major equipment or property damage. **CAUTION** - Indicates unsafe actions or situations that may cause injury, and/or minor equipment or property damage.

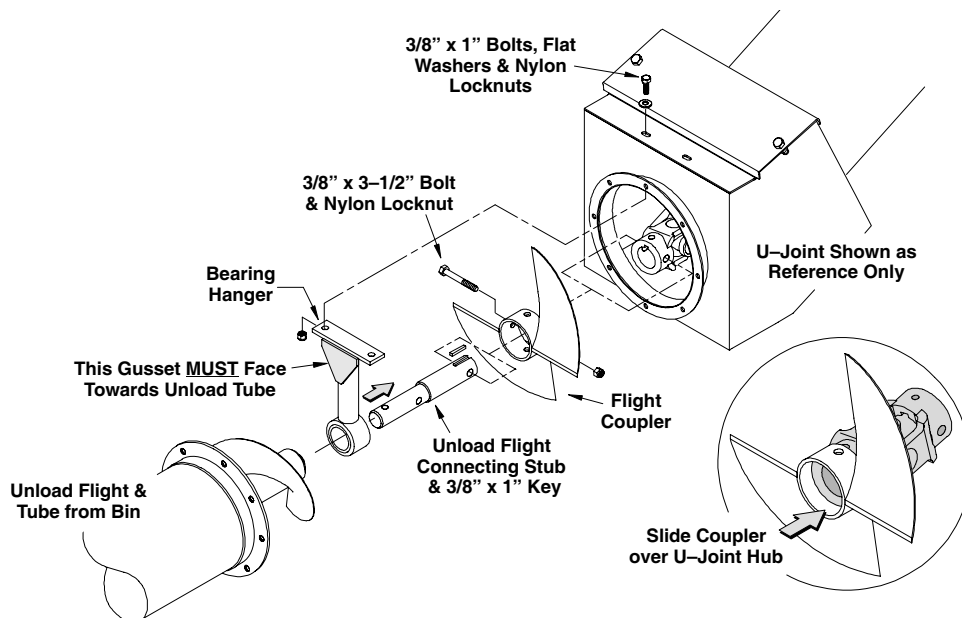
## FLIGHT COUPLER & HANGER BEARING KITS PART NO's. 1054486 (8"-10") & 1054485 (10"-12") for use with the 8", 10" & 12" 25° BIN UNLOADERS

These kits contain the necessary parts and hardware for installation of the hanger bearing and flight coupler on the 8"-10" and 10"-12" 25° Bin Unloaders.

### Install Instructions

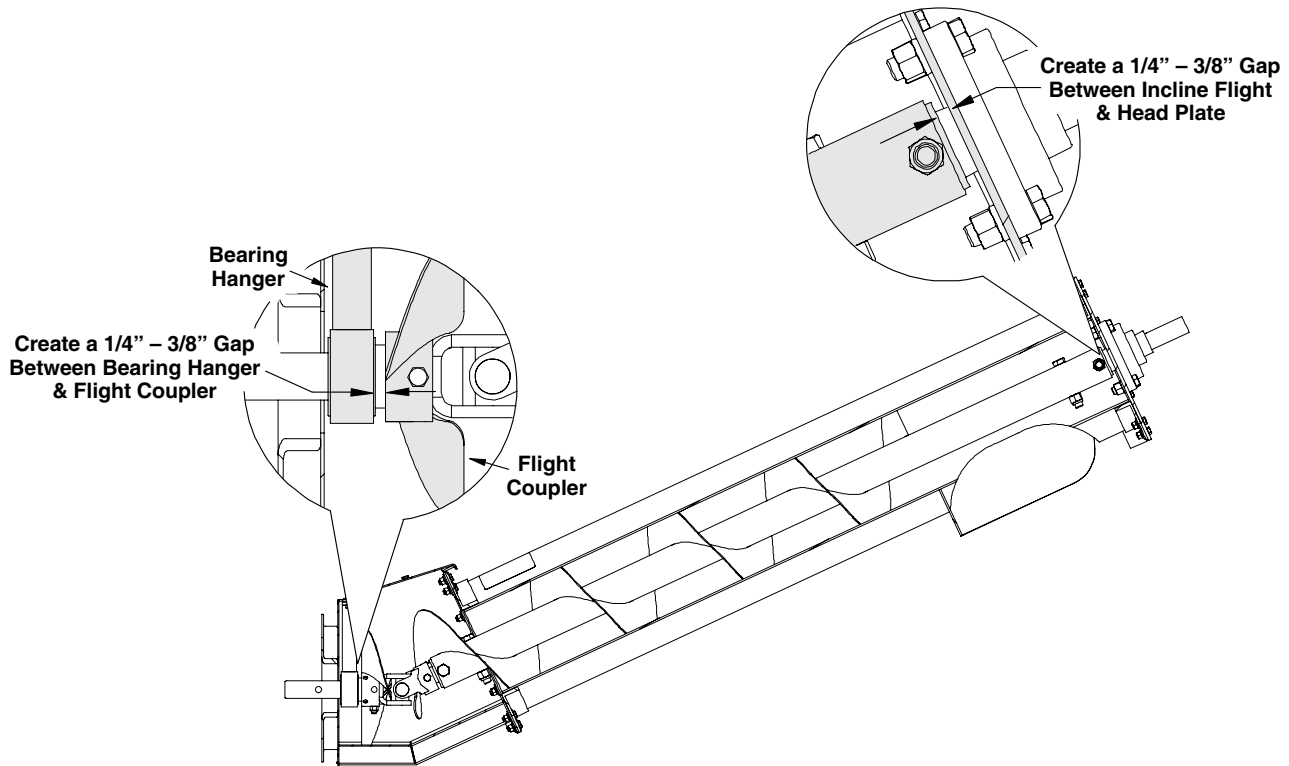
1. Disconnect the bin unload tube and unload flight from the 25° incline tube coupler box.
2. Remove the hardware securing the existing hanger bearing. Disconnect the bin unload connecting stub from the u-joint. Remove hanger and stub from coupler box.
3. Install the new flight coupler over the front hub of the u-joint and align mounting holes. Slide the new hanger bearing onto the connecting stub.  
Apply anti-seize compound to the end of the connecting stub with the keyway. Insert 3/8" x 1" key into the keyway and insert stub into u-joint. Secure flight coupler and stub to u-joint using 3/8" x 3-1/2" bolt and nylon locknut.
4. Loosely attach the hanger bearing to the top of the incline tube box using 3/8" x 1" bolts, flat washers and nylon locknuts.

**IMPORTANT! The gusset on the hanger bearing MUST be facing towards the bin unload tube.**



**Install Instructions (con't.)**

5. Position the hanger bearing so there is a 1/4" - 3/8" gap between the flight coupler and the hanger bearing. Also, make sure there is a 1/4" - 3/8" gap between the incline flight and head plate.



6. Apply anti-seize compound to the unload connecting stub and reattach it to the unload flight. Secure using 7/16" x 2-1/2" bolts and nylon locknuts for the 8"-10" models and 1/2" x 3-1/2" black bolts and nylon locknuts for the 10"-12" models.

Also attach any adapter plates that may have been used, and connect unload tube to incline coupler box.

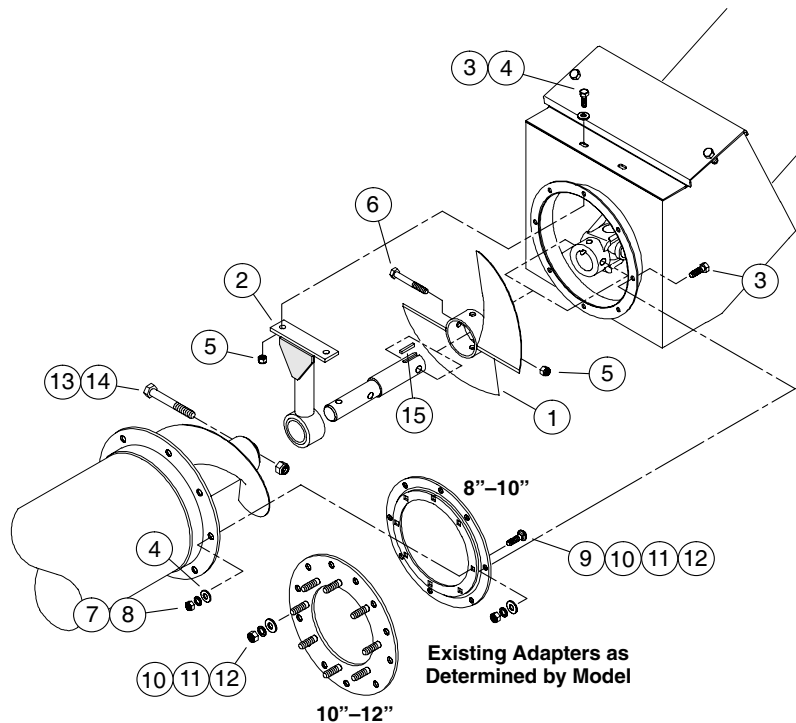
**• Note: All hardware is provided for the assembly of these kits including hardware for reattachment of existing adapter plates and connecting stubs.**

## Parts List

### Bearing Hanger & Flight Coupler Kits

Part No. 1054486 f/ 8"-10" 25° Unloads

Part No. 1054485 f/ 10"-12" 25° Unloads



**All Items Listed are used for both Models  
Unless Otherwise Noted.**

| Ref. No. | Part No.  | Description                                      | Ref. No. | Part No. | Description                                      |
|----------|-----------|--|----------|----------|--|
|          | 1         | 1041900 Flight Coupler f/ 8"-10"                 | 10       | 33023    | Washer, 5/16" Flat PLT                           |
| (1)      | 1041927   | Flight Coupler f/ 10"-12"                        | 11       | 33144    | Washer, 5/16" Lock PLT                           |
| 2        | 1034688-D | Hanger Bearing f/ 8"-10"                         | 12       | 33151    | Nut, 5/16-18 Non-Lock PLT                        |
| (2)      | 1034714-D | Hanger Bearing f/ 10"-12"                        | 13       | 1009504  | Bolt, 1/2-13 x 3-1/2" G8 blk (f/ 10"-12" Models) |
| 3        | 33060     | Bolt, 3/8-16 x 1" G5 PLT                         | (13)     | 1002253  | Bolt, 7/16-14 x 2-1/2" G5 PLT (f/ 8"-10" Models) |
| 4        | 33024     | Washer, 3/8" Flat PLT                            | 14       | 33138    | Nut, 1/2-13 Nylon Lock PLT (f/ 10"-12" Models)   |
| 5        | 33136     | Nut, 3/8-16 Nylon Lock PLT                       | (14)     | 33138    | Nut, 7/16-14 Nylon Lock PLT (f/ 10"-12" Models)  |
| 6        | 4827      | Bolt, 3/8-16 x 3-1/2" G5 PLT                     | 15       | 1002276  | Key, 3/8" sq. x 1" lg.                           |
| 7        | D1150     | Washer, 3/8" Lock PLT                            |          |          |  |
| 8        | D1149     | Nut, 3/8-16 Non-Lock PLT                         |          |          |  |
| 9        | 1002238   | Bolt, 5/16-18 Carriage G5 PLT (f/ 8"-10" Models) |          |          |  |

# **AGI HUTCHINSON MAYRATH**

MANUFACTURED BY  
**HUTCHINSON | MAYRATH**

P.O. Box 629, 514 W. Crawford Street    **TF** 800.523.6993  
Clay Center, Kansas                      **P** 785.632.2161  
USA 67432                                      **F** 785.632.5964

**[hutchinson-mayrath.com](http://hutchinson-mayrath.com)**