

# 12" LOWBOY BIN UNLOADER

## OWNER'S & OPERATOR'S MANUAL

Effective September 24, 2024

Publication No. 1018889

**AGI  HUTCHINSON MAYRATH**

Hutchinson | Mayrath • 514 W. Crawford • Clay Center, KS. USA 67432

P 785.632.2161 • F 785.632.5964 • TF 800.523.6993

[hutchinson-mayrath.com](http://hutchinson-mayrath.com)

[aggrowth.com](http://aggrowth.com) |





## GENERAL SAFETY STATEMENT

This manual was written with the safety of the operator and others who work with the equipment as our prime concern. The instructions presented will help the reader learn SAFE day to day work practices. We want you as our partner in safety.

It is your responsibility as an owner, operator or supervisor to know what specific safety requirements and precautions exist and to make these known to all other personnel working with the equipment or in the area, so that they too may safely perform their duties and avoid any potentially hazardous situations.

Please remember safety equipment provides important protection for persons around a grain handling system that is in operation. Be sure that ALL safety shields and protection devices are installed and properly maintained. If any shields or guards are damaged or missing, contact your dealer to obtain the correct items.

Avoid any alterations of the equipment. Such alterations may create a dangerous situation where serious injury or death may occur.

## SAFETY ALERT SYMBOL

The symbol shown below is used to call your attention to instructions concerning your personal safety. Watch this symbol - it points out important safety precautions. It means "ATTENTION! Become alert! Your personal safety is involved!" Read the message that follows and be alert to the possibility of personal injury or death.



**BE ALERT! YOUR SAFETY IS INVOLVED.**



### WARNING

Anyone who will operate or work around this machine shall first read this manual! This manual must be delivered with the equipment to its owner. Failure to read this manual and its safety instructions is a misuse of the equipment.

# TABLE OF CONTENTS

General Safety Statements .....	1
Safety Symbol .....	1
Operator Qualification .....	3
Sign Off Sheet .....	3
Machine Inspection .....	3
Safety Decals .....	4
DESIGNATED WORK AREA .....	5
OPERATING PROCEDURES.....	6-7
Electric Motor Drive .....	6
Lockout .....	6
Recommended Auger Flight Speed.....	6
Start Up & Break In .....	7
Shut Down.....	7
LUBRICATION AND MAINTENANCE .....	8
Gearbox.....	8
Enclosed Drive .....	8
Drive Shaft Bearing .....	8
TROUBLE SHOOTING .....	9
ASSEMBLY INSTRUCTIONS.....	10-13
PARTS LIST .....	P-1 thru P-4
WARRANTY .....	W-1

## SERIAL NUMBER

To ensure efficient and prompt service, please furnish us with the model and serial number of your auger in all correspondence or other contact. The serial plate is located on the side of auger housing.

## RIGHT AND LEFT DESIGNATION

When determining which is the left or right hand side of the unit, it is as if a person were standing at the intake end and looking toward the discharge end.

## OPERATOR QUALIFICATIONS

Operation of this auger shall be limited to competent and experienced persons. In addition, anyone who will operate or work around the auger must use good common sense. In order to be qualified, they must also know and meet all other requirements, such as:

1. Some regulations specify that no one under the age of 16 may operate power machinery. This includes portable augers. It is your responsibility to know what these regulations are in your own area or situation.
2. Current OSHA regulations state in part: "At the time of initial assignment and at least annually thereafter, the employer shall instruct every employee in the safe operation and servicing of all equipment with which the employee is, or will be involved."\*
3. Unqualified persons are to stay out of the work area as shown in the work area diagrams. See Page 5.
4. A person who has not read and understood all operating and safety instruction is not qualified to operate the machine.

\*Federal Occupational Safety & Health Standards for Agriculture Subpart D, Section 1928.57 (a)(6).

## SIGN OFF SHEET

As a requirement of OSHA it is necessary for the employer to train the employee in the safe operation and safety procedures with this auger. We include this sign off sheet for your convenience and personal record keeping.

DATE	EMPLOYER SIGNATURE	EMPLOYEE SIGNATURE

## MACHINE INSPECTION

After delivery of your new auger and/or completion of assembly and before each use, inspection of the machine is mandatory. Use the assembly instructions in this manual as a reference to determine that the auger is assembled properly. This inspection should include, but not be limited to:

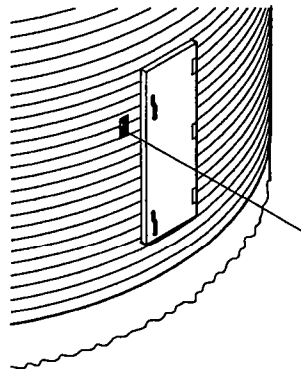
1. Check to see that all guards listed in the assembly instructions are in place and secured and functional. Input driveline must rotate easily.
2. Check all safety signs and replace any that are worn, missing or illegible. The safety signs are listed on page 4. Safety signs may be obtained from your dealer or ordered from the factory.
3. Are all fasteners tight?
4. Are all belts and chain properly adjusted? (See Maintenance Section.)
5. Check oil levels in Gearbox and Enclosed Drive Unit. (See Maintenance Section.)

Obtain any needed replacement parts from your dealer and install before using the machine.

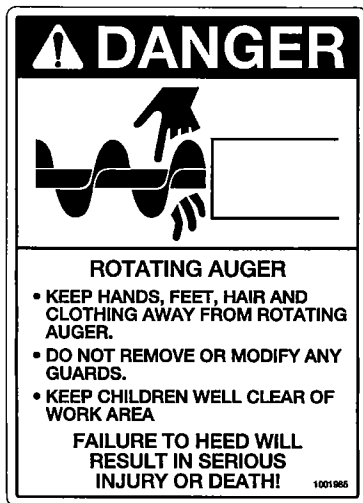
# SAFETY DECALS

Check components as specified below to insure that safety decals are present and in good condition. If a decal cannot be easily read for any reason or has been painted over, replace it immediately. Decals may be ordered through your Hutchinson Dealer.

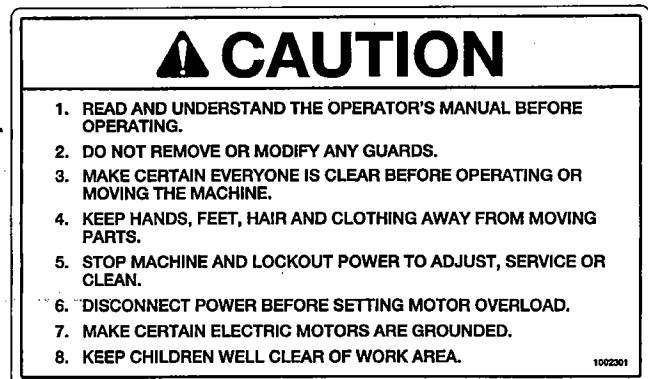
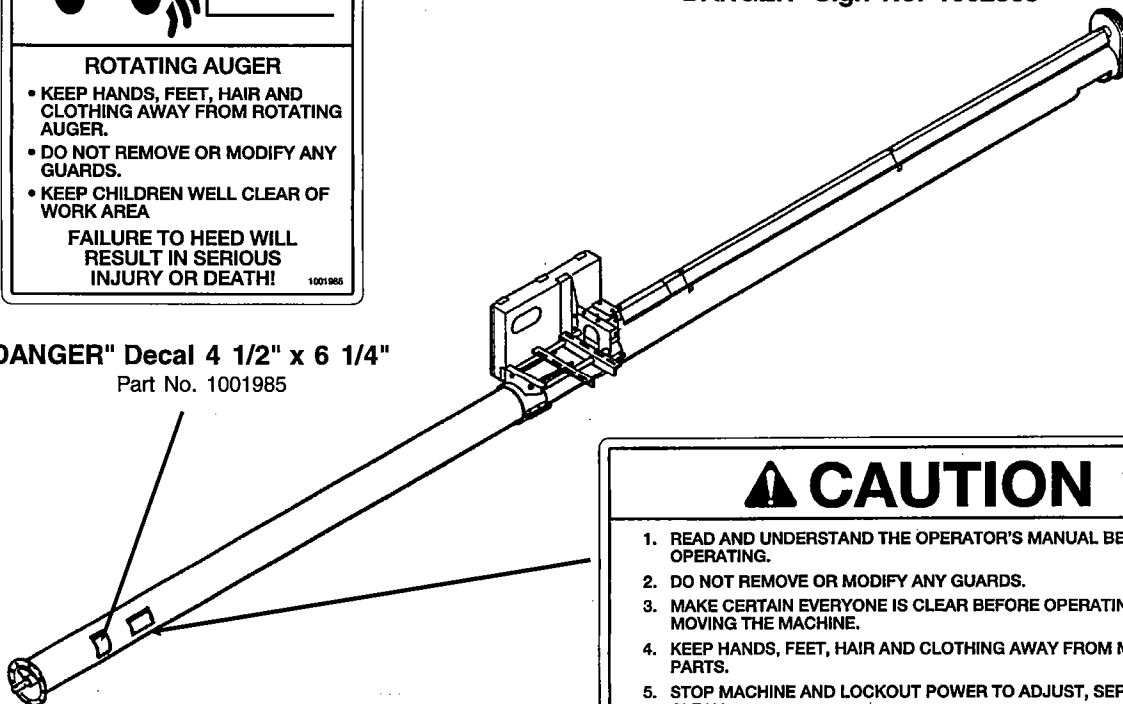
**DANGER** Sign No. 1002303 was supplied with Hutchinson bin unloading equipment. This safety sign should be applied to the side of the bin near the bin opening, so it will be viewed by people entering into the bin or storage building.



"DANGER" Sign No. 1002303



"DANGER" Decal 4 1/2" x 6 1/4"  
Part No. 1001985



"CAUTION" Decal  
Part No. 1002301

# WORK AREA SAFETY AND DIAGRAMS

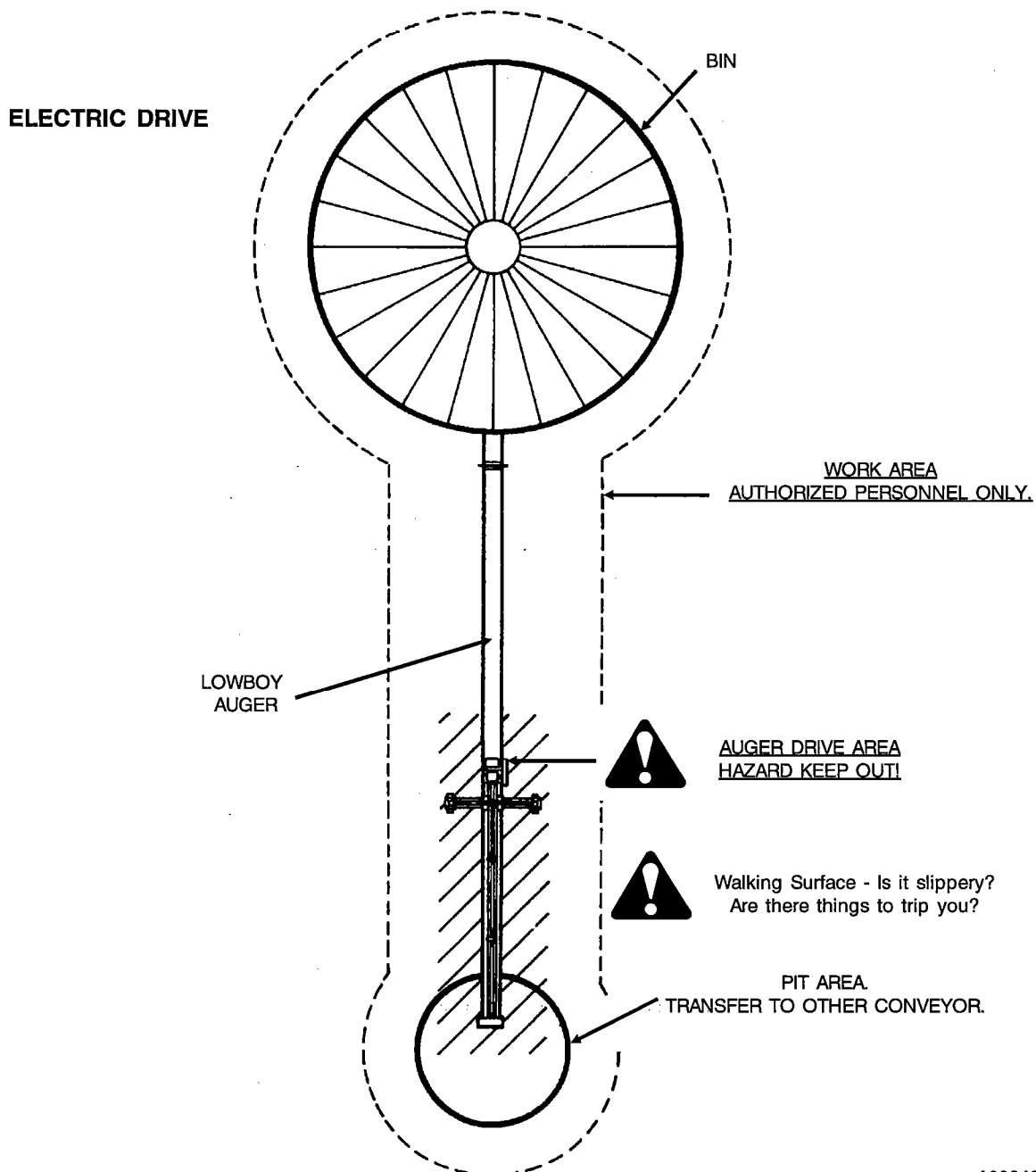
The diagram below will show the manufacturers designated work areas. These areas shall be marked off with colored nylon or plastic rope hung as portable barriers to define the designated work areas.

**Under no circumstances should persons not involved in the operation be allowed to trespass into the work area.**



**It shall be the duty of all operators to see that children and/or other persons stay out of the work area! Trespass into the work area by anyone not involved in the actual operation, or trespass into a hazard area by anyone, shall result in an immediate shutdown by the operator.**

**It shall be the responsibility of all operators to see that the work area has secure footing, is clean and free of all debris and tools which might cause accidental tripping and/or falling. It shall also be their responsibility to keep the work area clean and orderly during the operation.**



# ELECTRIC MOTOR DRIVE AUGERS

Always use a motor with required H.P. suggested in the Horsepower Recommendations section. Use motor that operates at 1750 R.P.M. Motor pulleys are not furnished with the auger.

## POWER SOURCE

1. Electric motors and controls shall be installed by a qualified electrician and must meet the standards set by the National Electrical Code and all local and state codes.
2. A magnetic starter should be used to protect your motor when starting and stopping. It should stop the motor in case of power interruption, conductor fault, low voltage, circuit interruption, or motor overload. Then the motor must be restarted manually. Some motors have built-in thermal overload protection. If this type motor is used, use only those with a manual reset.
3. Prior to start up, make certain the motor is wired to give correct rotation of the auger flight.



**A main power disconnect switch capable of being locked only in the OFF position shall be provided. This shall be locked whenever work is being done on the auger.**

**Reset and motor starting controls must be located so that the operator has full view of the entire operation.**

## LOCKOUT



**A main power disconnect switch capable of being locked only in the OFF position shall be provided. This shall be locked whenever work is being done on the auger.**

## HORSEPOWER RECOMMENDATIONS

12" Lowboy Length	Recommended Motor HP (When connected to average size standard unloading system)	Recommended Motor Pulley Size (Pitch Dia.)	Auger Speed (Using 15.4 P.D. Driven Pulley)
20'-30'	10-15	4.8"	340 RPM
31'-40'	15-20		
41'-50'	20-25		

**NOTE: For Lowboy lengths over 50' long, consult the factory for horsepower and drive information.**

The horsepower recommendations are for augering reasonably dry grain. High moisture grain (above 15%) will require greater power and maximum possible capacity will be less with high moisture grain than with dry grain.

Use of the recommended motor pulley size will give the recommended auger speed.

## START-UP AND BREAK-IN

Before operating the unit add # 90 weight non-foaming oil to the gearbox until it is half full. Check to see that belts are tensioned properly. Make sure all shields are in place and properly adjusted for belt and pulley clearance. Check the assembly instructions to see that all parts are assembled correctly. During the initial start-up and break-in period, the operator shall note any unusual vibrations or noises and take appropriate action. The bin well inside the bin should have a control gate. The controls for the control gate will either pull or push to open, depending on the type of well. The gate should be closed before start-up and closed before shut-down to permit the machine to clean out. Use the control gate to regulate a flow of less than full capacity until several hundred bushels of grain have been augered to polish the flighting assembly and tube.

Any screw conveyor when it is new or after it sets idle for a season should go through a "break-in" period. Augers should be run at partial capacity until the screw becomes polished and smooth before attempting full capacity. A failure will most likely occur when run full before it has "polished up". It is recommended that several hundred bushels of grain be augered at partial capacity.

Never operate augers empty for any length of time as excessive wear will result. If at all possible, do not stop or start augers under load, especially before the flight and tube become well polished, as this may cause the auger to "freeze-up". Continue to use the control gate as a flow control so the Lowboy Auger does not become plugged.

## FULL LOAD OPERATION

During the regular operation of your equipment, one person shall be in a position to monitor the operation. It is also good practice to visually inspect the system periodically during the actual operation. Be alert for unusual vibrations, noises and the loosening of any fasteners.



**Observe work area restrictions.** (See work area diagram.)

## SHUTDOWN

### A. NORMAL SHUTDOWN

Make certain the bin well control gates and the Lowboy Auger are empty before stopping the unit. Before the operator leaves the work area the power source shall be locked out. See page 6.

### B. INTERMITTENT OPERATION SHUTDOWN

When an auger is stopped and restarted under full load, it may result in damage to the auger. Therefore, if intermittent operation is to be carried out, it is advisable to use a flow restricting device to reduce the load level. Slide gates and intake control gates can be used for this purpose. When kept from absolute filling, auger start-up is easier and operation is more efficient.

If the auger is to be used in a force feed system, flow should be further restricted to reduce the load adequately for safe intermittent operation.

### C. EMERGENCY SHUTDOWN

1. It is essential to inspect your drive before adding power and know how to shut down in an emergency. For efficient and safe operation, be aware of all the adjustments and checks which should be performed.
2. Starting the unit under load may result in damage to the auger. Such damage is considered abuse of the equipment.
3. Should the auger be immediately shut down under load -- disconnect and lockout the power source. Clear as much grain from hopper and auger as you can before attempting a restart.



**Whenever you must service or adjust your equipment, make sure you stop motor and lock out your power source!**

# LUBRICATION AND MAINTENANCE

For economical and efficient operation of your auger maintain regular and correct lubrication. Neglect leads to reduced efficiency, excessive wear and needless down time.



**Keep all safety shields and devices in place.  
Never clean adjust or lubricate a machine that is in operation.**

The following will detail the parts needing lubrication and the various conditions which determine the time span.

## GEARBOX

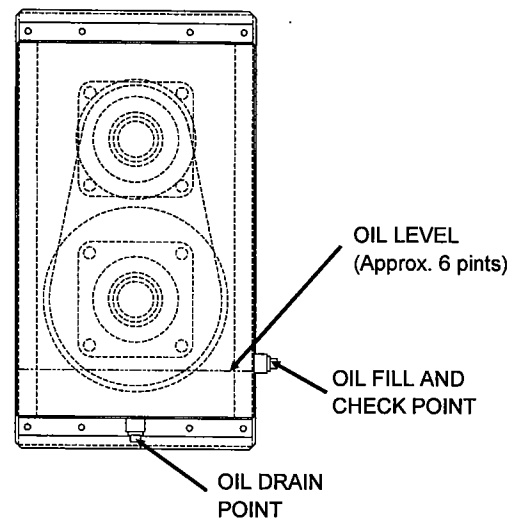
The gearbox is shipped without oil. At field assembly of auger, 90 E.P. (non-foaming) oil is to be added to the gearbox until half full. Check and maintain the level regularly.

## ENCLOSED DRIVE LUBRICATION

The enclosed drive is located at the discharge end of the auger housing and is shipped without oil. Oil is to be added to the unit during field assembly of the auger. Oil will dissipate under normal operating conditions, therefore the oil level should be checked regularly. Add 90 DP (non-foaming) oil until the level of the oil reaches the check port.

**DO NOT ADD MORE OIL THAN RECOMMENDED.**

For lubrication in normal operating temperature between 40° F to 120° F, we recommend the use of non-foaming, multi-purpose gear oil, SAE 90 weight. For temperatures below 40° F, use SAE 80 weight oil. Use grade commercially available for automotive differentials. Extra pressure additives may be of value in severe applications.

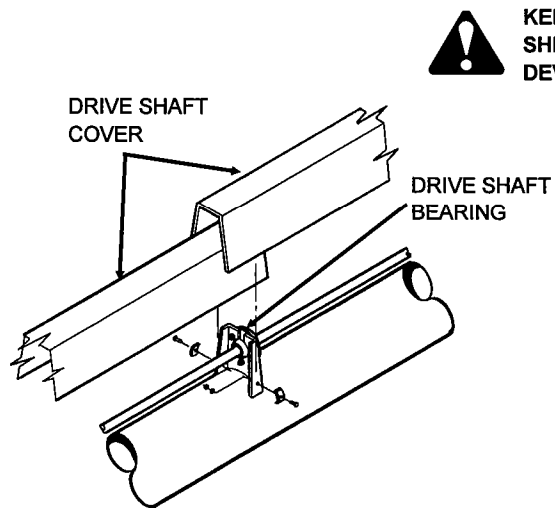


## BEARINGS

### DRIVE SHAFT BEARING

All drive shafts are supported by self-aligning, sealed ball bearings, which have been packed at the factory and require no further lubrication. There is no adjustment to be made to the bearings but to check that the retainers are firmly fastened to the bearing stand. Also check that the set-screws in the lock collars are tight against the drive shaft, securing the lock collars to the drive shaft.

**IMPORTANT: The complete drive shaft must be shielded with drive shaft covers during operation.**



**KEEP ALL SAFETY SHIELDS AND DEVICES IN PLACE.**

## BELT ADJUSTMENT

On drives that are powered by belts, the belt tension will need periodic adjustment.

# TROUBLE SHOOTING

## LOWBOY CAPACITY

The auger may not be getting enough grain. Check to see that the bin well control gate is sufficiently open. Check auger speed. Refer to page 6. Slow speed below recommended speed will result in low capacity.

## AUGER PLUGS

The auger may be getting too much grain where it is "jamming" inside the housing. Adjust control gate of bin well to decrease amount of grain being fed into auger.

On motor drive augers, the motor may be too small or wired improperly.

If wet grain or other hard to move material is being augered, use a larger size motor than recommended for normal use.

Is the auger free of any foreign material, such as sacks, tarp corners, etc. A plug of the discharge end will cause an auger plug.

Check to see if belts are lined up and tensioned properly.

## EXCESSIVE AUGER NOISE

Damage can occur to the auger flighting, thus causing noise. Damage usually occurs because of foreign material having been run through the auger. It may be necessary to remove the flighting for inspection.

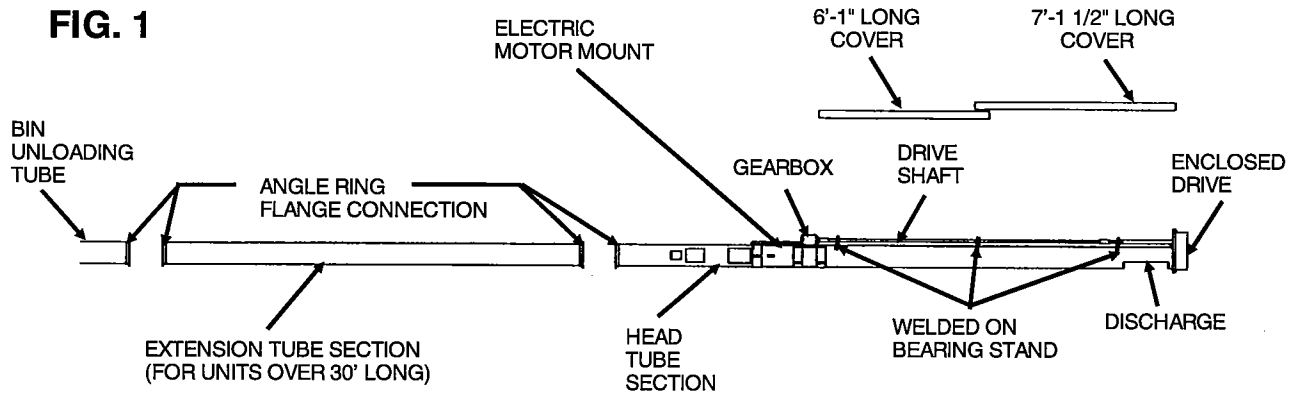
## IMPORTANT:

An auger should be frequently checked and serviced to operate freely. Keep all guards and shields in place. Replace any that are damaged or lost. An auger should be run partially full for several hundred bushels to polish the flighting when it has not been used for an extended period of time. An auger with flighting that has not been polished in this manner requires greater horsepower, and damage to the drive and/or flighting can result if overloaded.

Hutchinson augers are well made and we are proud of our line of equipment. We would like you, as our customer, to do your part in using caution and good judgement in using our equipment as well as any other machinery. Any parts for replacement should be replaced with parts of the same type and size. Do not modify or alter any of the auger components.

# ASSEMBLY INSTRUCTIONS

Choose an area of open ground where the auger may be laid out full length. If more than one section of auger housing will be used, lay the different sections in their approximate positions.



Lowboy units over 30' long will have a head tube section and an extension tube section. Fasten the flight section together with hex head capscrews and nuts. (See chart for bolt size.) Then connect the head tube section flange to extension tube section flange with hex head capscrews and locknuts. (See chart for bolt size.)

UNIT	FLIGHT CONNECTION BOLTS	TUBE SECTION FLANGE BOLTS
12"	(4) 5/8" x 4" HHCS	(12) 3/8" x 1" HHCS

## GEARBOX ASSEMBLY

**NOTE:** If an optional drive shaft extension kit is to be installed, do it at this time. See instructions provided with the drive shaft kit.

Gearboxes are equipped with two oil fill plugs and are shipped without oil. One plug is vented and must always be on the top side of the box. **IMPORTANT: ADD 90 EP (non-foaming) oil until the gearbox is half full.**

Attach gearbox to band-on mount with four 3/8" x 1" hex head capscrews and lockwashers.

Set gearbox on auger and connect to drive shaft with coupler and two 1/4" x 1 1/2" long square keys. (See Fig. 2.) Input gearbox shaft must be to the left side of the tube, as shown.

Secure gearbox mount to auger using halfband and four 5/16" x 1 1/2" hex head capscrews and locknuts.

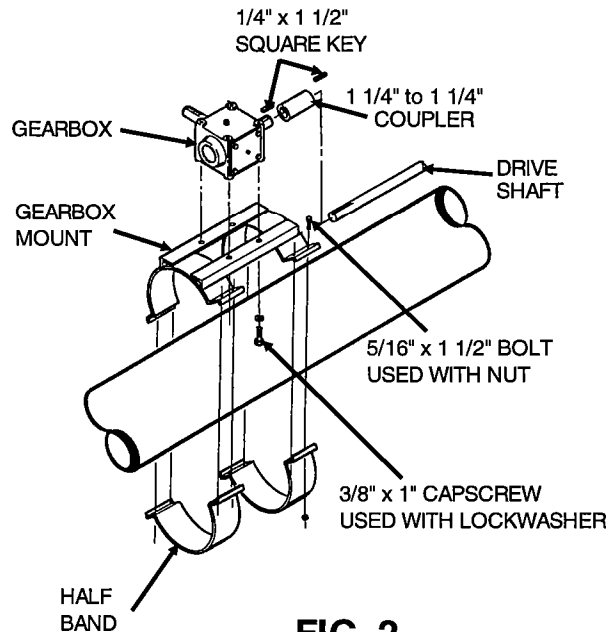


FIG. 2

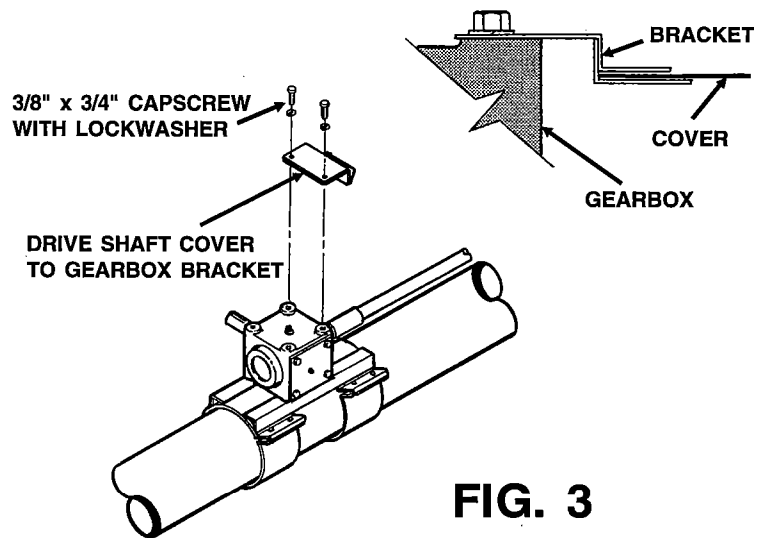
# ASSEMBLY INSTRUCTIONS (CONT.)

## DRIVE SHAFT COVERS

The covers should be placed on the auger while it is lying on the ground before it is placed on the undercarriage.

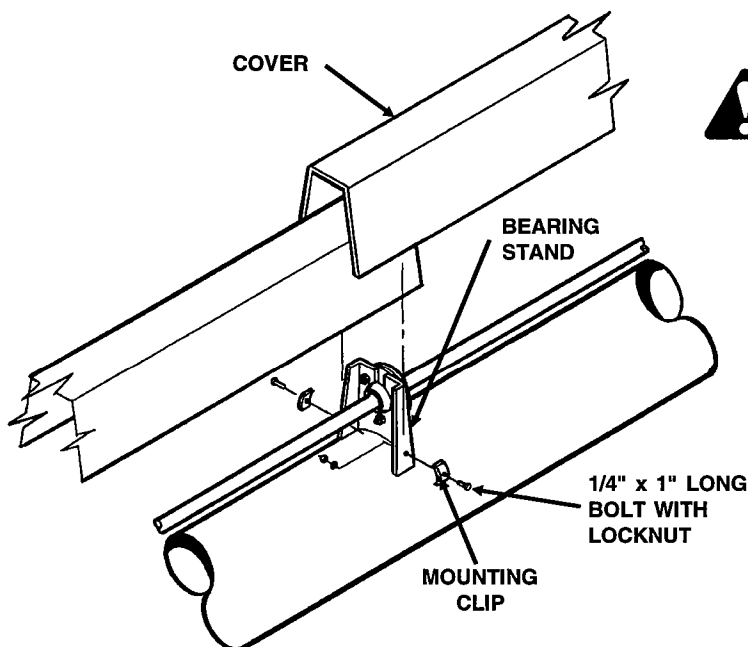
**PLEASE**, remember these covers provide important protection for persons around an auger that is in operation. Proper installation is important.

1. Install drive shaft cover to gearbox bracket to the top of the gearbox. See Fig. 3.



**FIG. 3**

2. Note that each drive shaft cover is slightly wider at one end. This wider end is the lower end of each cover. Begin at the lower end, setting each cover over the one before it. See Fig. 1 for proper sequence. The covers are longer than distances between bearing stands causing them to overlap. Even out overlap at all joints. Lock covers in place with mounting clips and 1/4" x 1" bolts, lockwashers and nuts as shown in Fig. 4.



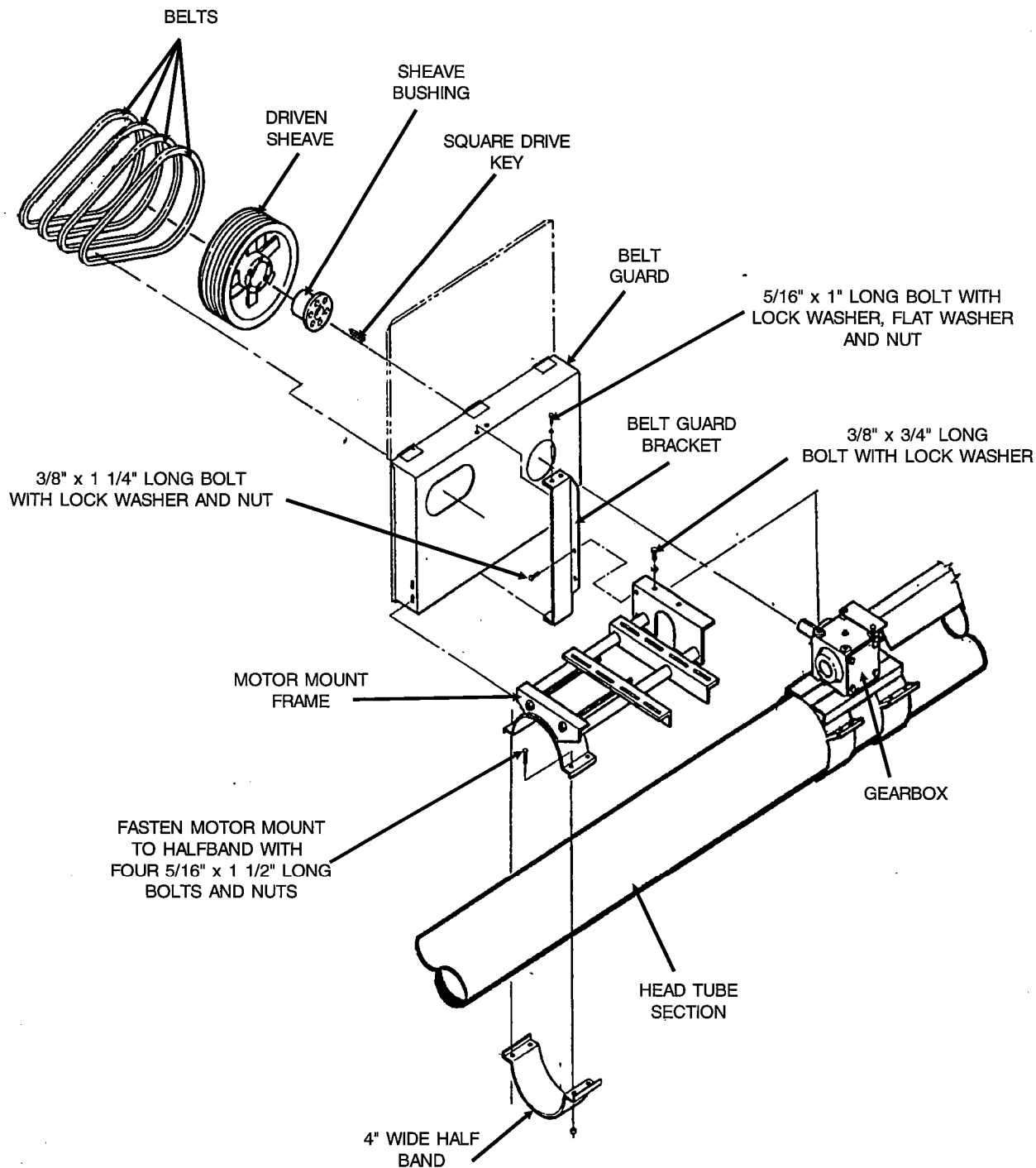
**CAUTION:** Keep all safety shields and devices in place.

**FIG. 4**

**TYPICAL DRIVE SHAFT COVER  
TO BEARING STAND ASSEMBLY**

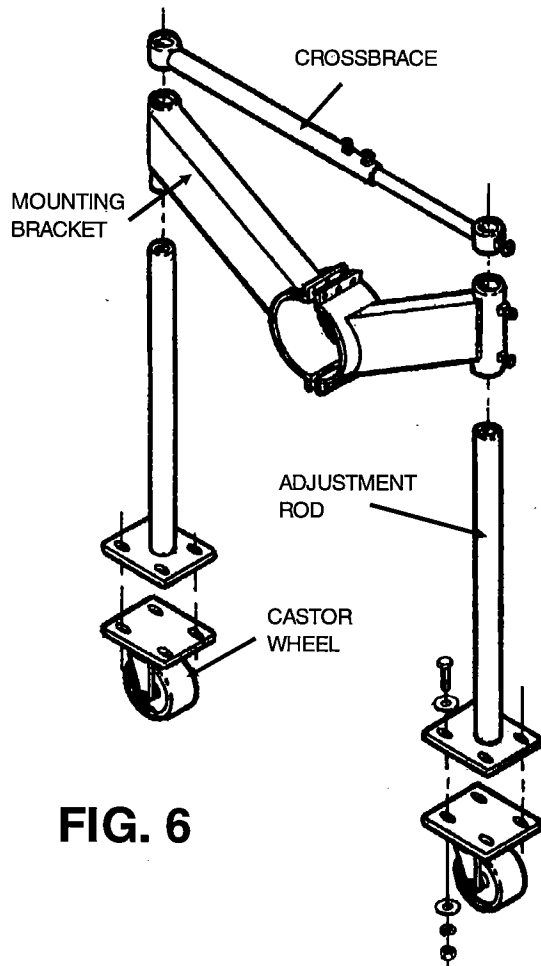
# ELECTRIC MOTOR DRIVE ASSEMBLY

Assemble electric motor mount as shown in Fig. 5. See page 6 in the Operating Procedure portion of this manual for motor size and motor sheave size.



**FIG. 5**

## OPTIONAL UNDERCARRIAGE ASSEMBLY



**FIG. 6**

Assemble the undercarriage as shown in Fig. 6. Bolt undercarriage to auger at about the center of the auger with 5/16" x 1 1/2" bolts and nuts.

**NOTE:** It may be necessary to remove a metal drive shaft cover to install undercarriage. **BE SURE** cover is replaced after undercarriage is attached.

## LOWBOY AUGER TO UNLOADING TUBE ASSEMBLY

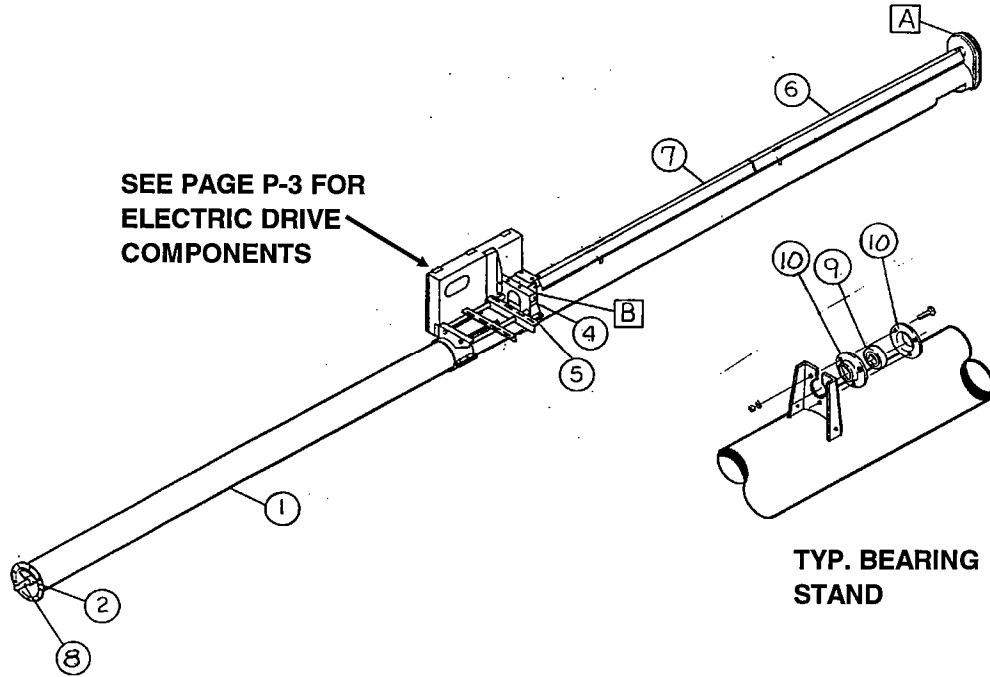
Attach flight of the auger assembly to the bin unloading flight using bolts recommended.

Four 5/8" x 4" long black hardened bolts and locknuts.

Slide unloading flight into unloading tube. Attach the auger to the unloading tube flange using 3/8" x 1" bolts, lock washers and nuts. Adjust the undercarriage to support the auger at a level equal to the bin unloading tube.

# PARTS LIST

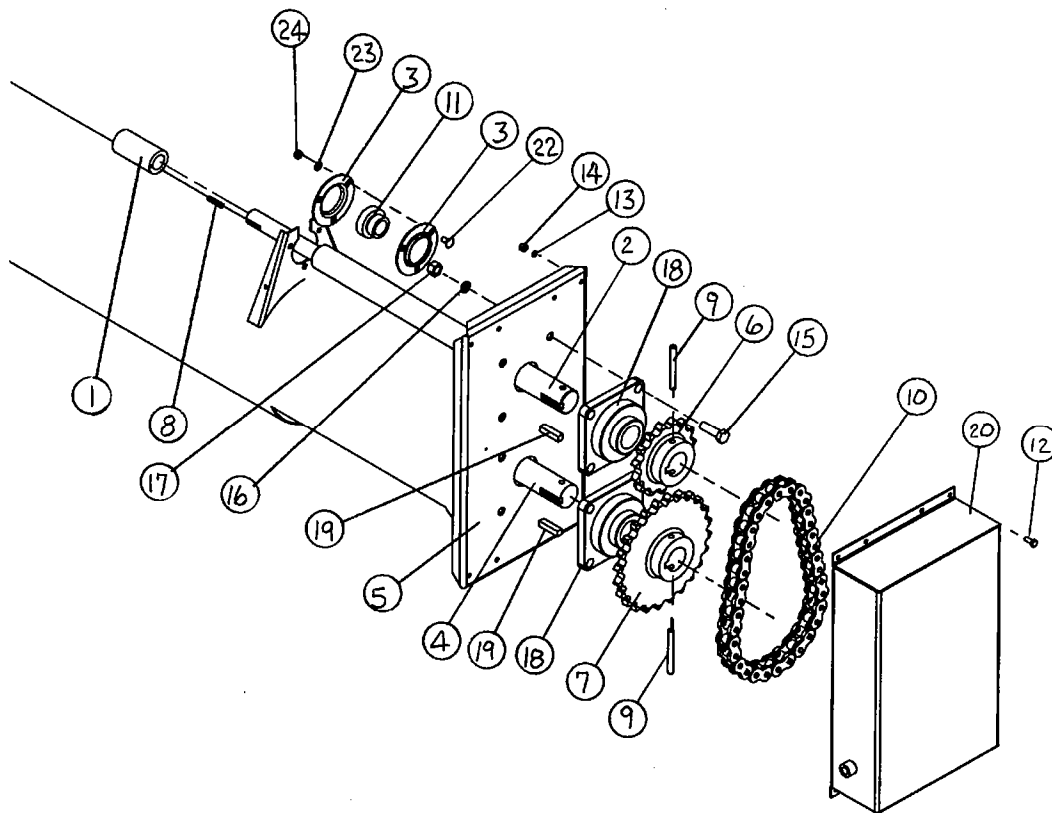
## TUBE, FLIGHT AND DRIVE SHAFT



REF. NO.	PART NO.	DESCRIPTION
A	---	Enclosed Drive Assembly (See page P-2)
B	1006130	Gearbox (See page P-3 for parts breakdown.)
1	---	Tube Housing - (Consult the factory, provide tube length.)
2	---	Flight Assembly - (Consult the factory and provide flight length.)
3	1018429	Drive Shaft (1 1/4" dia. x 10' long) (See also item 2 on page P-2)
4	1007611	Gearbox Mount (See page P-3, item no. 2)
5	5271A1	Halfband (See Page P-3, item no. 3)
6	5146A1	Drive Shaft Cover, 7'-1 1/2" long
7	5145A1	Drive Shaft Cover, 6'-1" long
8	2221C	Connecting Stub
9	3027A1	Drive Shaft Bearing, 1 1/4"
10	3029A2	Flangette for Bearing

# PARTS LIST

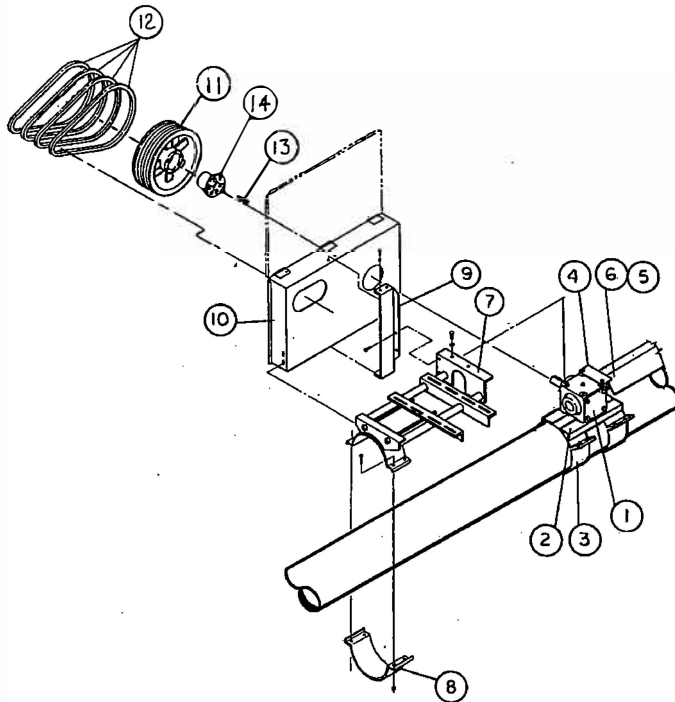
## ENCLOSED HEAD DRIVE ASSEMBLY



<u>REF. NO.</u>	<u>PART NO.</u>	<u>DESCRIPTION</u>
1	1007599	Drive Shaft Coupler
2	1018422	Head Drive Shaft, 2" x 34 3/4" lg.
3	3029A2	Bearing, 1.25" Flangette only
4	1018516	Head Stub Shaft
5	1018305	Head Plate (welded to auger housing)
6	1013833	Sprocket, 15 Tooth, 2" Bore
7	1013834	Sprocket, 24 Tooth, 2" Bore
8	8371C	1/4" Sq. x 1 1/2" lg. Key
9	1018682	7/16" x 4" lg. Spiral Roll Pin
10	1018533	RC100 Chain w/Connecting Link
11	3027A1	Bearing & Collar 1.25"
12	4701-1	5/16" x 3/4" lg. HHCS (Grade 5)
13	33144	5/16" Lock Washer
14	33151	5/16" Non-Lock Nut
15	33244	5/8" x 2" lg. HHCS (Grade 5)
16	D1171	5/8" Lock Washer
17	D1170	5/8" Non-Lock Nut
18	2214C	2" Flange Bearing
19	4050A1	1/2" Sq. x 2" lg. Key
20	1018386	Head Cover Weldment
21	1018508	Drive Shaft Cover Bracket (not shown)
22	1002247	3/8" x 3/4" lg. Carriage Bolt
23	D1150	3/8" Lock Washer
24	D1149	3/8" Non-Lock Nut

# PARTS LIST

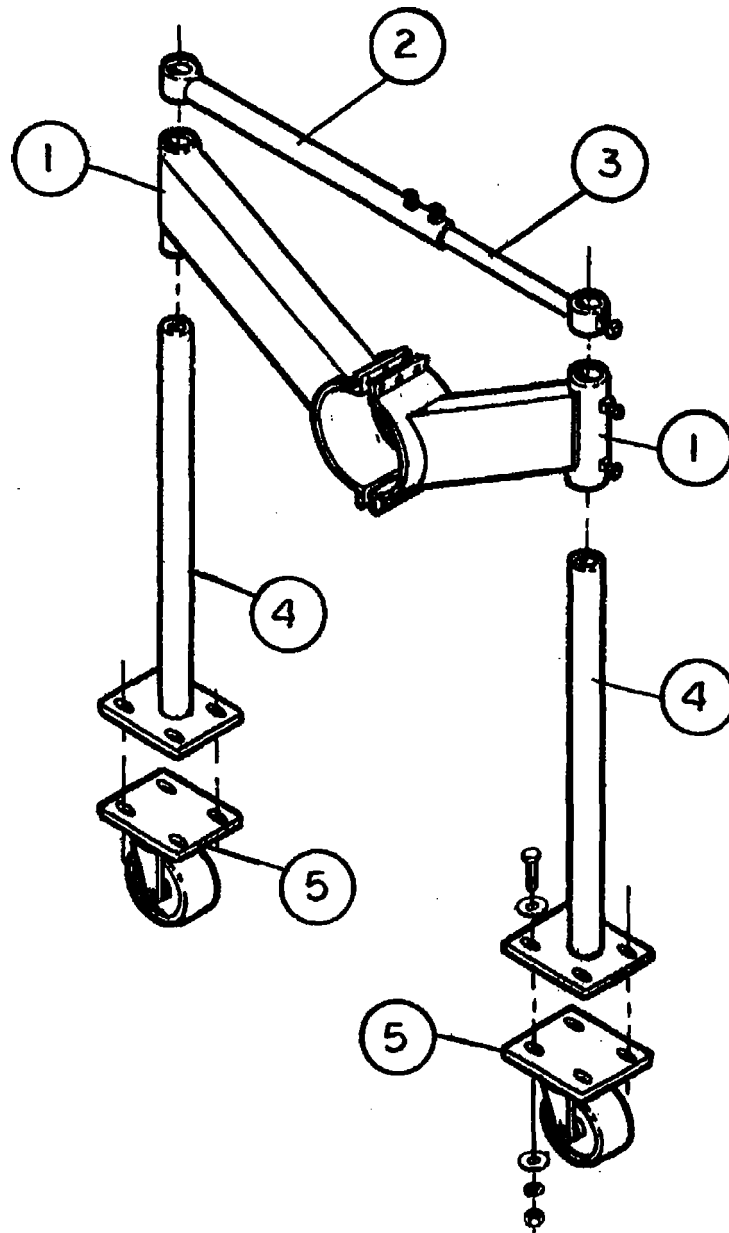
## ELECTRIC DRIVE



REF. NO.	PART NO.	DESCRIPTION
1	1006130	Gearbox (See page P-2 for parts
2	1007611	Gearbox Mount
3	5271A1	Half Band 12"-4"
4	1007612	Drive Shaft Cover Bracket
5	1007599	Drive Shaft to Gearbox Coupler
6	8371C	Square Key, 1/4" x 1 1/2" long
7	1007603	Motor Mount Frame
8	5931A1	Half Band 12"-4"
9	1002774	Belt Guard Mounting Bracket
10	1002748	Belt Guard
11	3092A1	Sheave, 4B x 15.4" P.D. QD Type
12	40123	Belts, B-64
13	4049A1	Square Key, 1/4" x 3" long
14	3085A1	Bushing Q.D. Type SF, 1.25" Bore

# PARTS LIST

## OPTIONAL UNDERCARRIAGE COMPONENTS



REF. NO.	PART NO.	DESCRIPTION
1	1018552	Mounting Bracket
2	6389E	Spacer Bar (outer tube)
3	6390E	Spacer Bar (inner tube)
4	6385E	Leg Weldment
5	6383E	Castor Wheel Assembly

# WARRANTY

## AG GROWTH INTERNATIONAL INC. – FORM OF LIMITED WARRANTY

Ag Growth International Inc. (“AGI”) warrants that the goods and/or services being supplied (the “Goods”) will be free from defects in materials and workmanship under normal conditions, use, service, and maintenance, for a period of twelve (12) months from the date of first operation of the Goods, but in no event more than eighteen (18) months from the date of delivery of the Goods to the end-user (the “Warranty Term”). If the Goods are being used for rental purposes, the Warranty Term for the subject Goods shall be limited to 90 days.

Subject to AGI’s sole discretion, if the Goods, or a component thereof, are found to have a default in materials and/or workmanship within the Warranty Term, AGI will, at its own option and expense, repair or replace the subject Goods or refund the purchase price for the applicable Goods. Any warranty related expenses incurred on behalf of or by the end-user without the prior written consent of AGI shall be the sole responsibility of the end-user. Expenses relating to travel, customs or import duties and tariffs, equipment rental, and any costs associated with accessing the Goods are the sole responsibility of the customer. Warranty shall be void in the event the Goods are returned or disposed of without the written consent of AGI.

The customer shall not assert a claim that the Goods are defective unless the customer gives written notice to AGI of such defect within forty-eight (48) hours of discovering such defect. In the event of a warranty claim, the customer must complete any and all information required by AGI in order to properly assess or investigate the claim. AGI shall be given a reasonable opportunity to inspect and test the Goods in question. Failure by the customer to notify AGI of such claim within 48 hours shall operate as a waiver of any and all such claims by the customer.

**THIS IS THE SOLE AND EXCLUSIVE WARRANTY GIVEN BY AGI WITH RESPECT TO THE GOODS AND IS IN LIEU OF AND EXCLUDES ALL OTHER WARRANTIES, EXPRESS OR IMPLIED, ARISING BY OPERATION OF LAW OR OTHERWISE, INCLUDING WITHOUT LIMITATION, MERCHANTABILITY OR FITNESS FOR A PARTICULAR PURPOSE WHETHER OR NOT THE PURPOSE OR USE HAS BEEN DISCLOSED TO SELLER IN SPECIFICATIONS, DRAWINGS, OR OTHERWISE, AND WHETHER OR NOT AGI’S GOODS ARE SPECIFICALLY DESIGNED AND/OR MANUFACTURED BY AGI FOR BUYER’S USE OR PURPOSE.**

This limited warranty extends solely to Goods manufactured by AGI and does not cover any third-party parts, components, or materials. To the extent permitted by the manufacturer, AGI will pass on applicable warranties on third-party parts, components or materials to the end-user. This warranty does not extend to any losses or damages due to misuse, use of a kind and/or to a degree not reasonably expected to be made of the Goods, any use of the Goods which is not an intended use as specified in AGI’s published product literature or otherwise specified by AGI in writing, accident, acts of God, abuse, neglect, normal wear and tear (including corrosion and cosmetic issues), any equipment attached to or used in conjunction with the Goods, any field modifications or substitutions to original Goods, component damage incurred during shipping and handling, unauthorized modification or alteration, used beyond rated capacity, or improper installation, maintenance or application.

**THE SOLE AND EXCLUSIVE REMEDY FOR ANY CLAIM HEREUNDER SHALL BE LIMITED TO REPAIR, REPLACEMENT, OR REFUND OF THE PURCHASE PRICE. AGI SHALL NOT BE LIABLE FOR DAMAGES CAUSED BY DELAY IN PERFORMANCE AND IN NO EVENT, REGARDLESS OF THE FORM OF THE CLAIM OR CAUSE OF ACTION (WHETHER BASED IN CONTRACT, INFRINGEMENT, NEGLIGENCE, STRICT LIABILITY, OTHER TORT OR OTHERWISE), SHALL AGI’S LIABILITY TO BUYER AND/OR ITS CUSTOMERS EXCEED THE PURCHASE PRICE OF THE GOODS. BUYER AGREED THAT IN NO EVENT SHALL AGI’S**

**LIABILITY TO BUYER AND/OR ITS CUSTOMERS EXTEND TO INCLUDE INCIDENTAL, CONSEQUENTIAL, OR PUNITIVE DAMAGES. THE TERM "CONSEQUENTIAL DAMAGES" SHALL INCLUDE, BUT NOT BE LIMITED TO, LOSS OF ANTICIPATED PROFITS, LOSS OF USE, LOSS OF REVENUE, FAILURE TO MEET GOVERNMENT AND/OR ADMINISTRATIVE REQUIREMENTS, CLEAN UP COSTS, COST OF CAPITAL AND DAMAGE OR LOSS TO OTHER GOODS, PROPERTY OR EQUIPMENT.**

To the fullest extent permitted by law, Buyer, on behalf of itself, its suppliers, their agents, employees or any entity or person for which Buyer is or may be responsible ("Indemnitors") shall fully indemnify, save and hold AGI, its agents, employees, officers, directors, partners and related entities harmless from and against all liability, damage, loss, claims, demands, actions and expenses of any nature whatsoever, including, but not limited to reasonable attorney's fees which arise out of or are connected with: (a) any negligent act, error or omission by any Indemnitor in the performance of this agreement; (b) the failure of the Indemnitor to comply with the laws, statutes, ordinances or regulations of any governmental or quasi-governmental authority; or (c) the material breach of any term or condition of this agreement by any of the Indemnitors. Without limiting the generality of the foregoing, the indemnity hereinabove set forth shall include all liability, damage, loss, claims, demands, and actions on account of personal injury, death or property loss to any third party, any Indemnitee, any of Indemnitee's employees, agents, licensees or invitees. The indemnity set forth herein shall survive any termination of this agreement.

**THIS WARRANTY IS NON-TRANSFERABLE AND APPLIES ONLY TO THE ORIGINAL END-USER AND SHALL BE CONSIDERED VOID IF NOT REGISTERED WITHIN 30 DAYS OF RECEIPT OF THE GOODS BY THE ORIGINAL END USER.**





# **AGI HUTCHINSON MAYRATH**

MANUFACTURED BY  
**HUTCHINSON | MAYRATH**

514 W. Crawford Street  
Clay Center, Kansas  
USA 67432

**TF** 800.523.6993  
**P** 785.632.2161  
**F** 785.632.5964

**[hutchinson-mayrath.com](https://hutchinson-mayrath.com)**