



A509/A510/A512 Auger Steer Kit Portable Grain Auger Installation Instructions

This manual applies to:

AGI Westfield MKX² 13 (94/114)

AGI Westfield X² 13 (94)

AGI X² 13 (94/114)

Pre-Installation Instructions

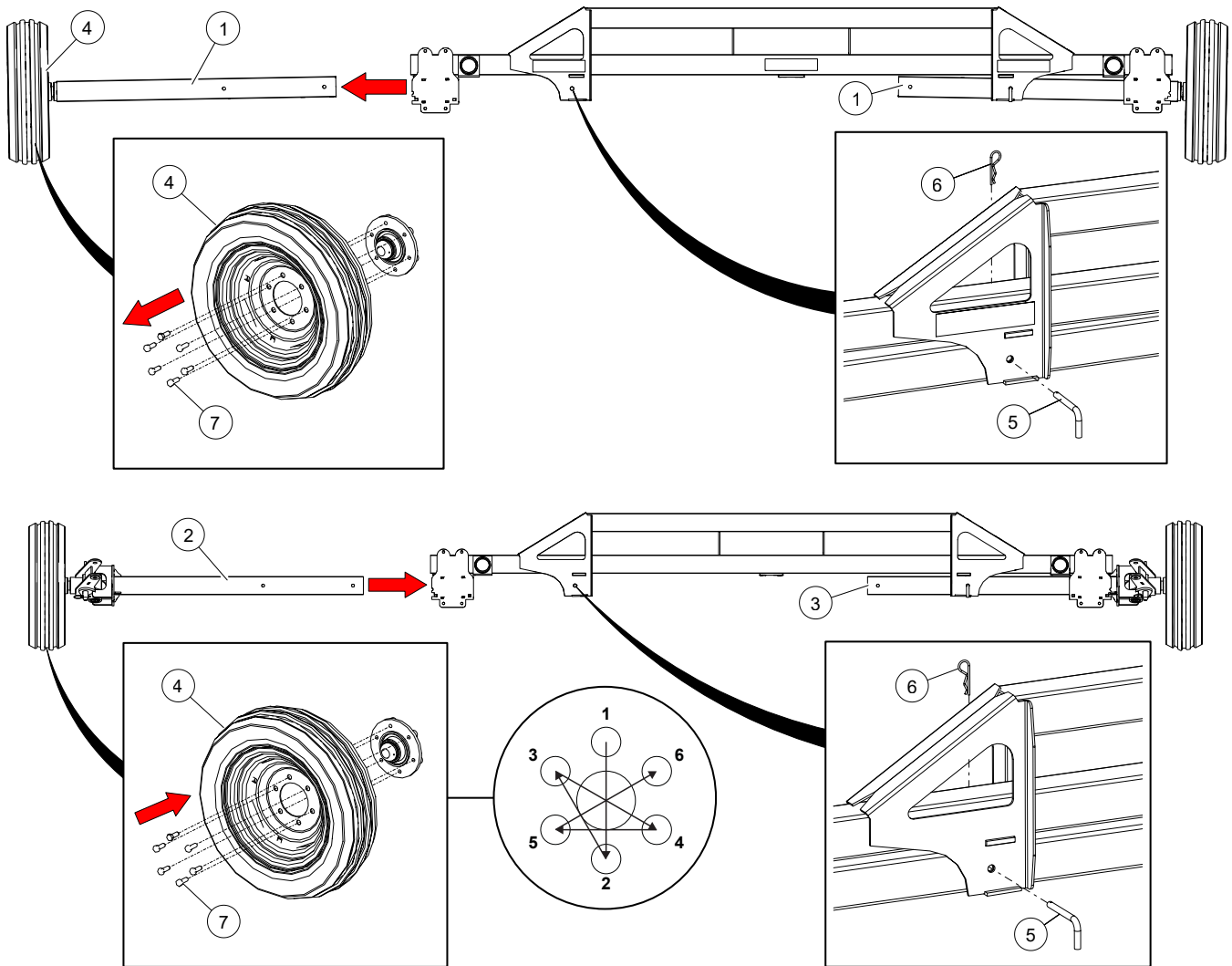


Crush Hazard

Keep away when lifting the boot and use proper lifting equipment. Make sure equipment is secure.

1. Park the auger on level ground. Fully lower the frame.
2. Relieve pressure in the hydraulic hose(s) and disconnect them from the tractor.
3. Chock the auger wheels to prevent rolling.
4. Lower the swing hopper fully to the ground.
5. Use the jack to support the boot, then disconnect the tractor from the auger (PTO shaft and hitch).
6. Position a sling behind the boot and lift with a forklift or front-end loader.
7. Remove the jack.
8. Lower the boot to the ground.

Replace the Frame Axle Extensions



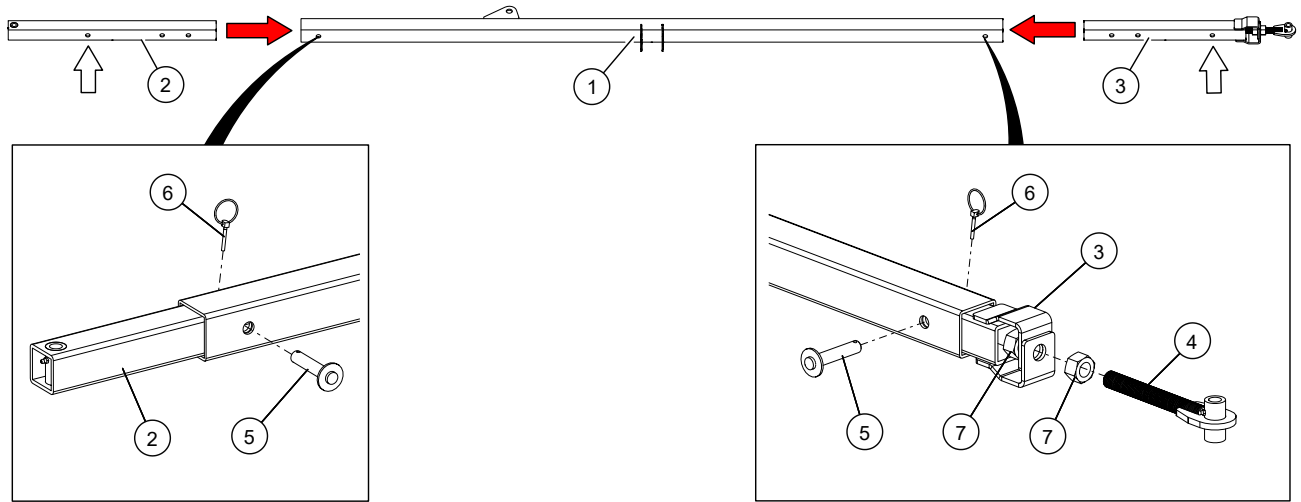
Assembly Notes:

- Determine the left or right side of the auger steer by standing at the discharge end facing the intake end.
- Replace the frame axle extensions one side at a time, using the jack to support the side being replaced.
- Torque the wheel bolts to 100 ft·lb (±10 ft·lb) using the pattern shown.

1	axle extension	5	pin
2	steer axle assembly, left	6	hairpin
3	steer axle assembly, right	7	wheel bolt, 1/2" x 1"
4	wheel		

Install the Steer Axle

Assemble the Steer Axle

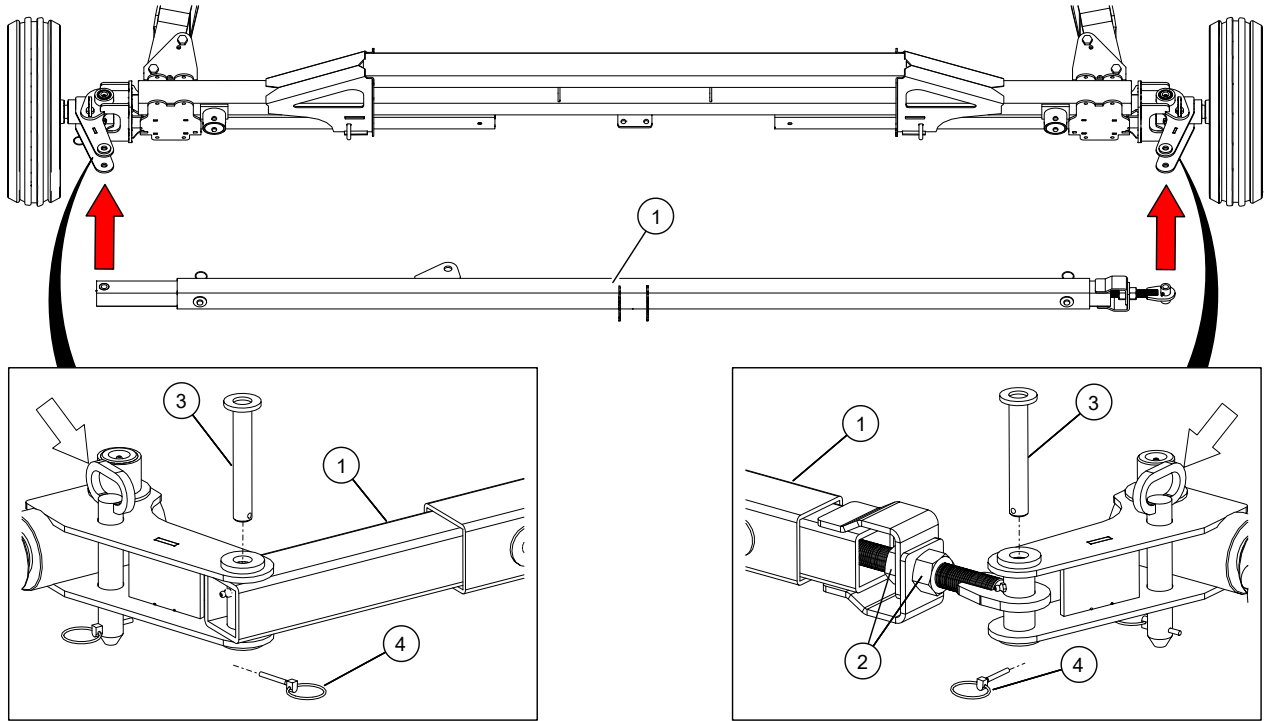


Assembly Note:

- Make sure that the steer axle links are secured in the fully retracted positions with the pins (transport position).

1	steer center link	5	pin
2	steer axle link	6	lynch pin
3	steer axle end link	7	hex nut, M27
4	adjustable steer axle link		

Attach the Steer Axle to the Frame Axle

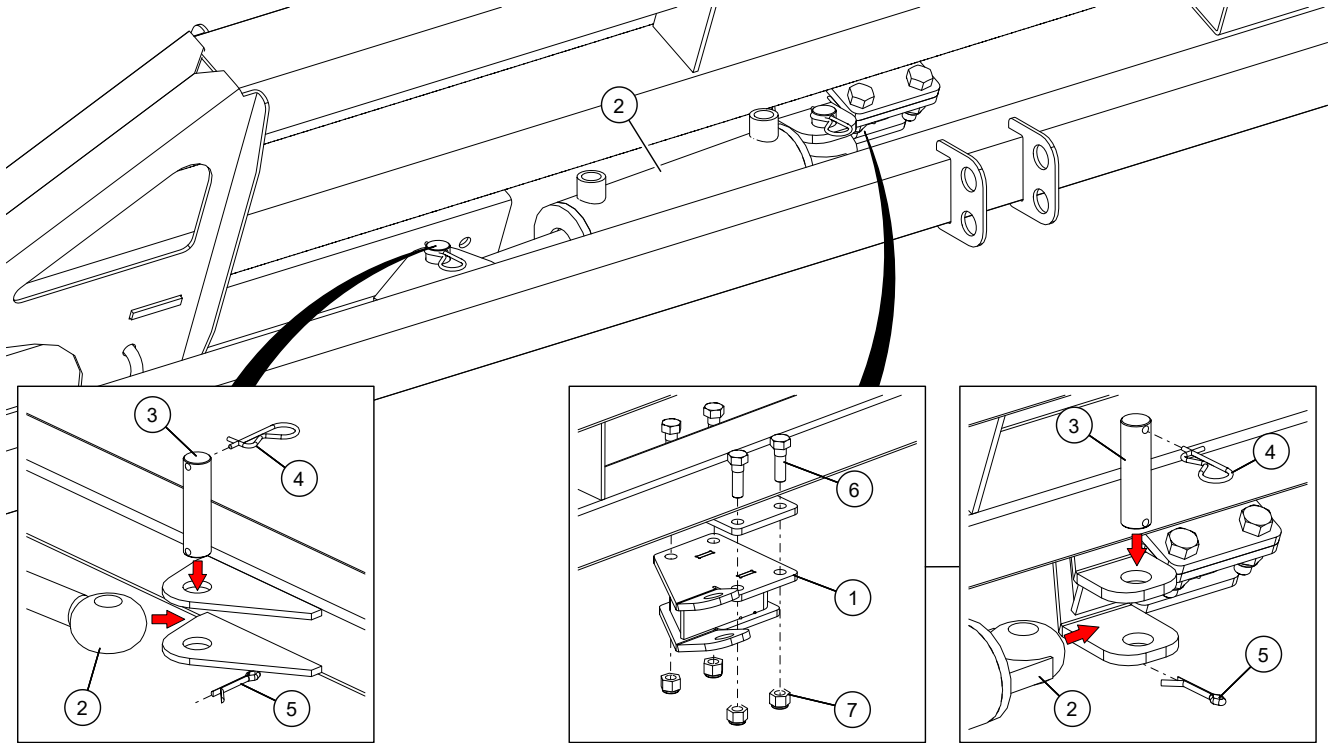


Assembly Notes:

- Make sure the steer axle assemblies are locked in transport position, as indicated by the white arrows.
- Adjust the hex nuts to relieve any binding when inserting the pins.
- Once the pins are installed, lock the steer axle in place using the hex nuts.

1	steer axle	3	pin
2	hex nut, M27	4	lynch pin

Install the Cylinder

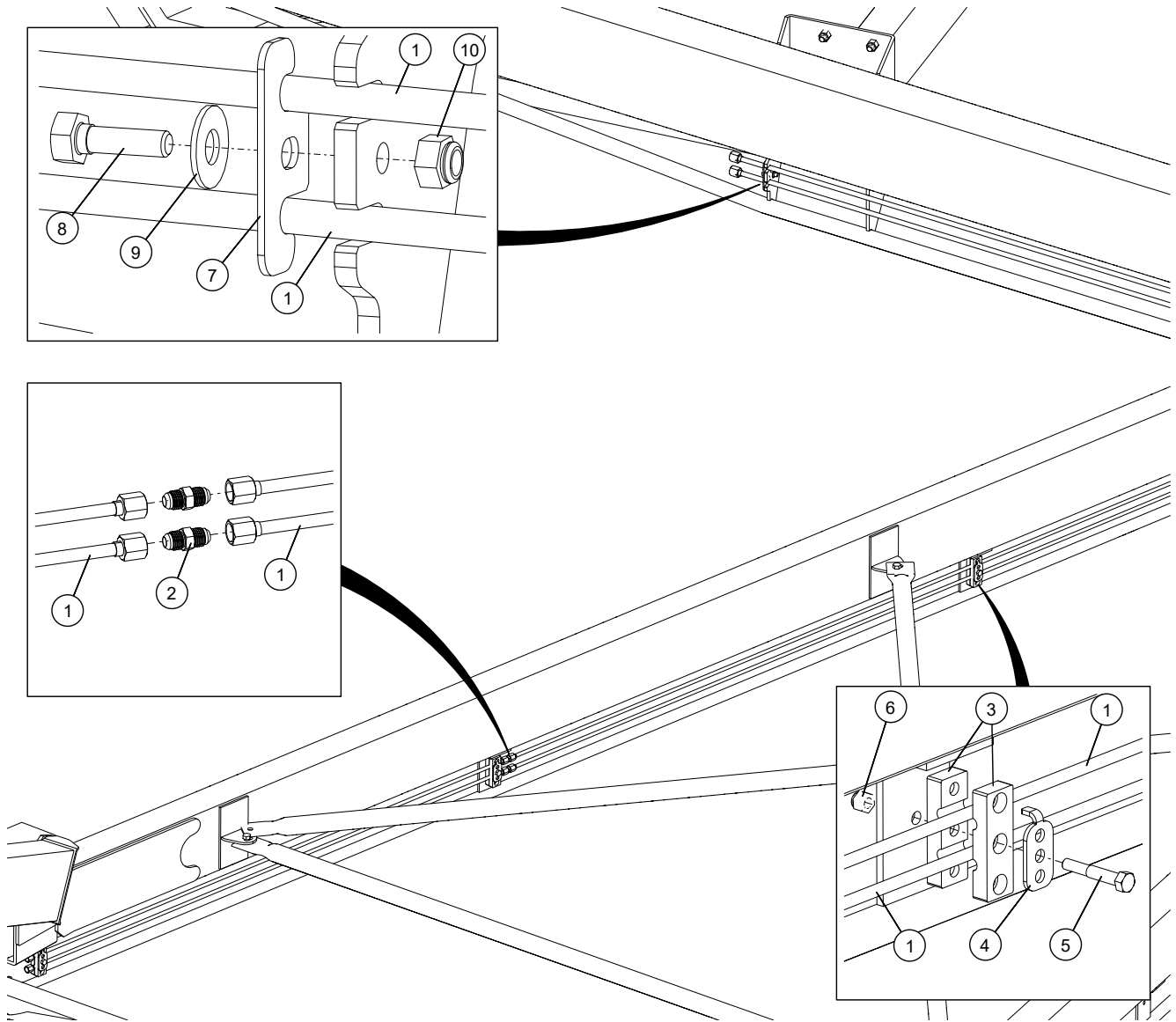


1	cylinder mount	5	cotter pin, 1/4" x 1-3/4"
2	cylinder	6	hex bolt, M16 x 50L
3	pin, 1" x 3-3/4"	7	nylock nut, M16
4	grip clip		

Install the Hydraulic Hoses (A-Frame)

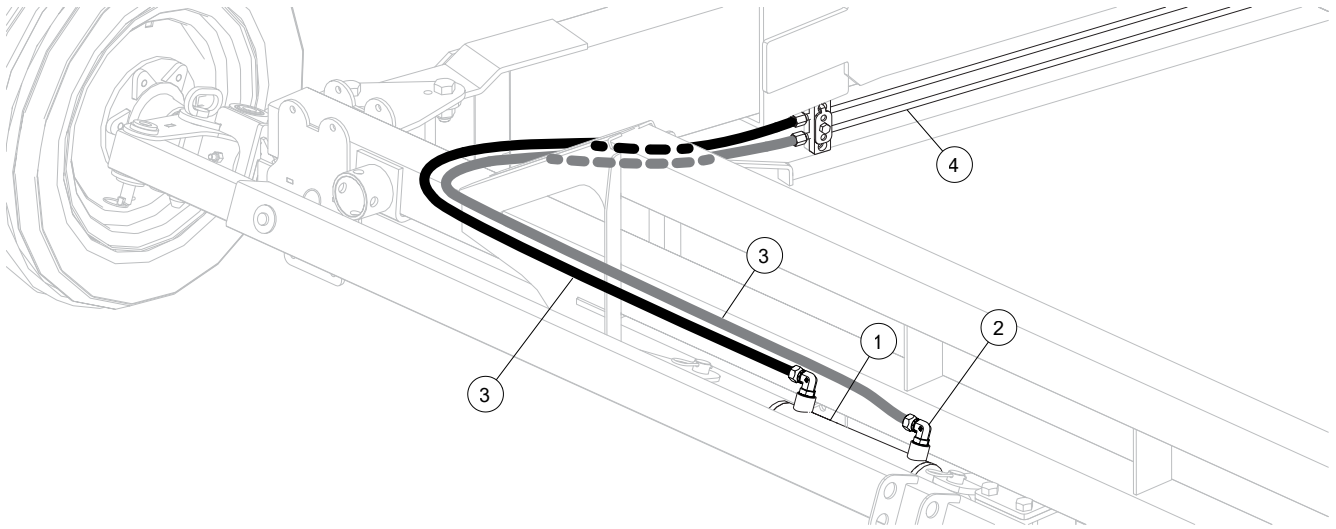
This section applies to MKX² 13-94/114 and X² 13-114 models.

Install the Hydraulic Tubes on the Lower Frame

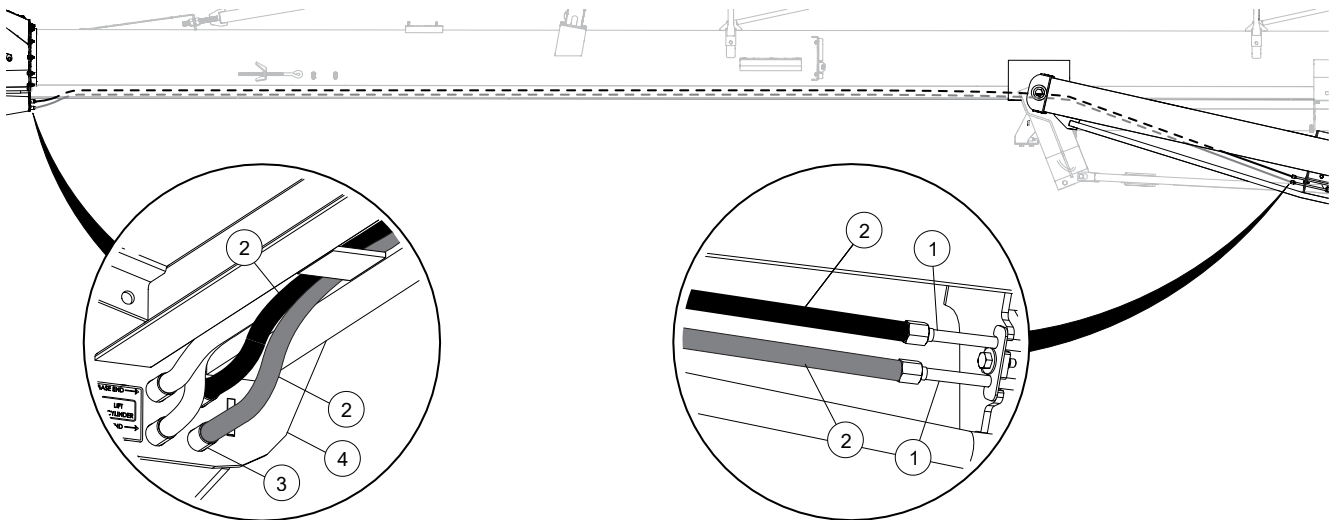


1	hydraulic tube	6	lock nut, 3/8"
2	coupler fitting	7	hydraulic line cap
3	tube clamp, double	8	hex bolt, M8 x 25L
4	tube clamp bracket	9	plain washer, M8
5	bolt, 3/8" x 2-1/4"	10	nylock nut, M8

Install the Hydraulic Hoses

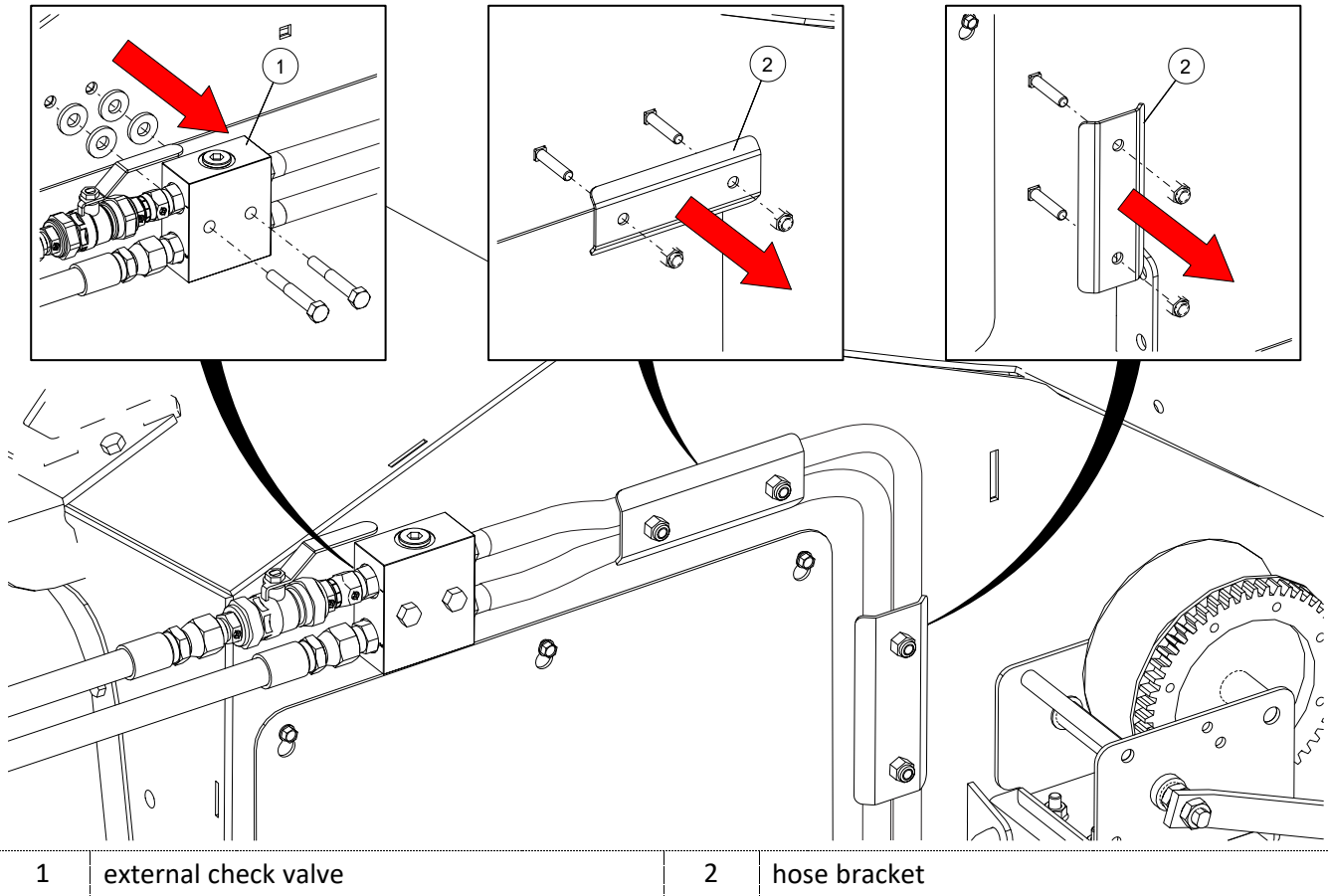


1	cylinder	3	hydraulic hose, 3/8" x 92"
2	elbow fitting	4	hydraulic tube

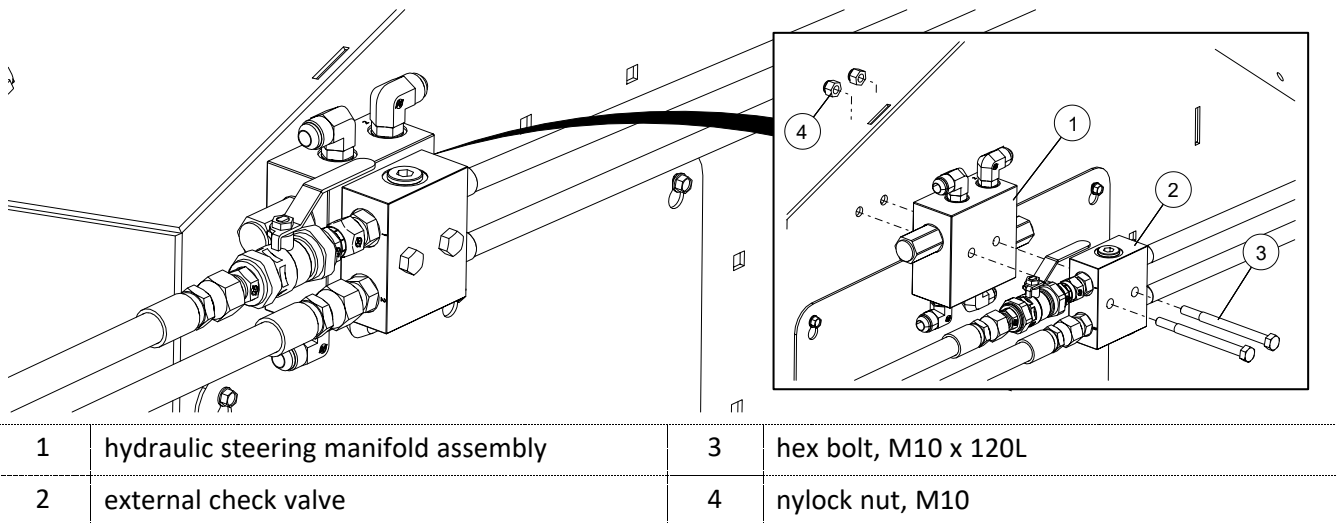


1	hydraulic tube	3	bulkhead coupler fitting
2	hydraulic hose, 3/8" x 310" (94 model)	4	boot
	hydraulic hose, 3/8" x 363" (114 model)		

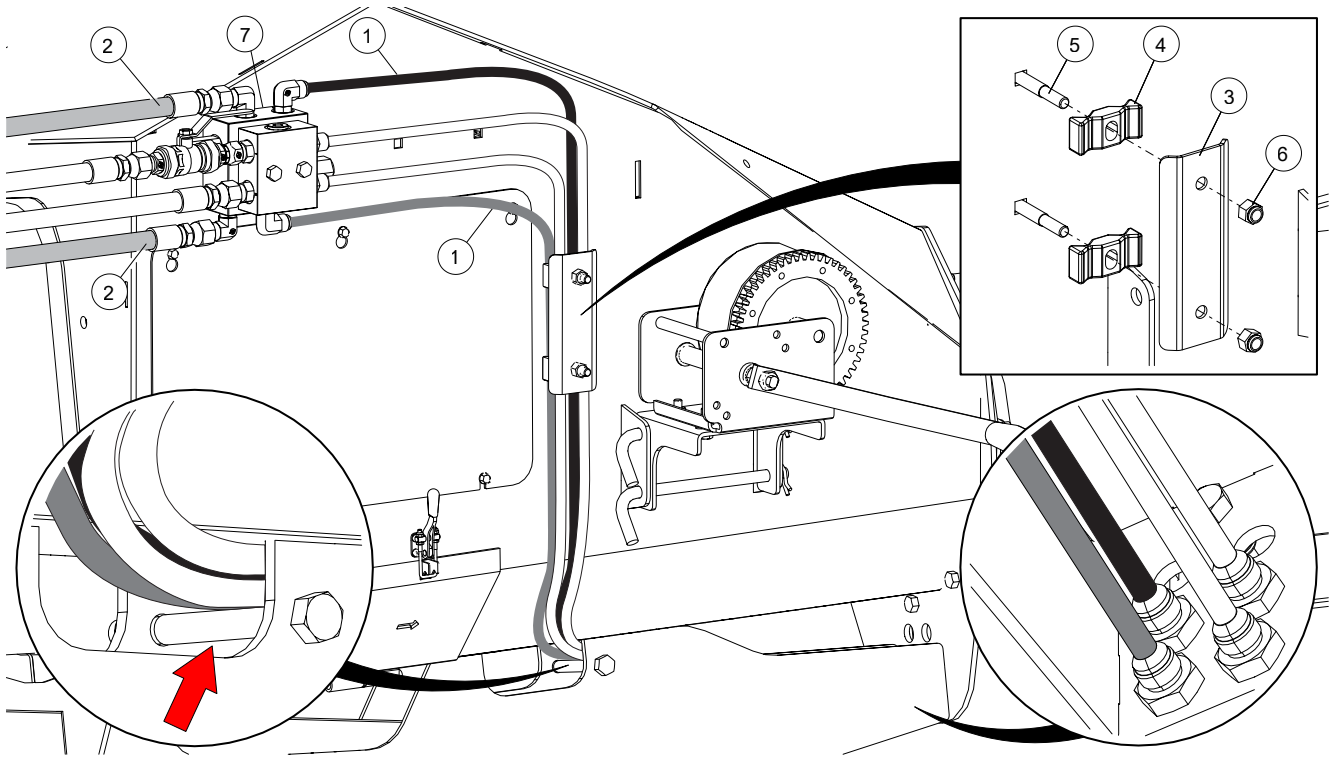
Remove the External Check Valve and Hose Brackets



Install the Hydraulic Steering Manifold and External Check Valve



Install the Hydraulic Hoses on the Boot



Assembly Note:

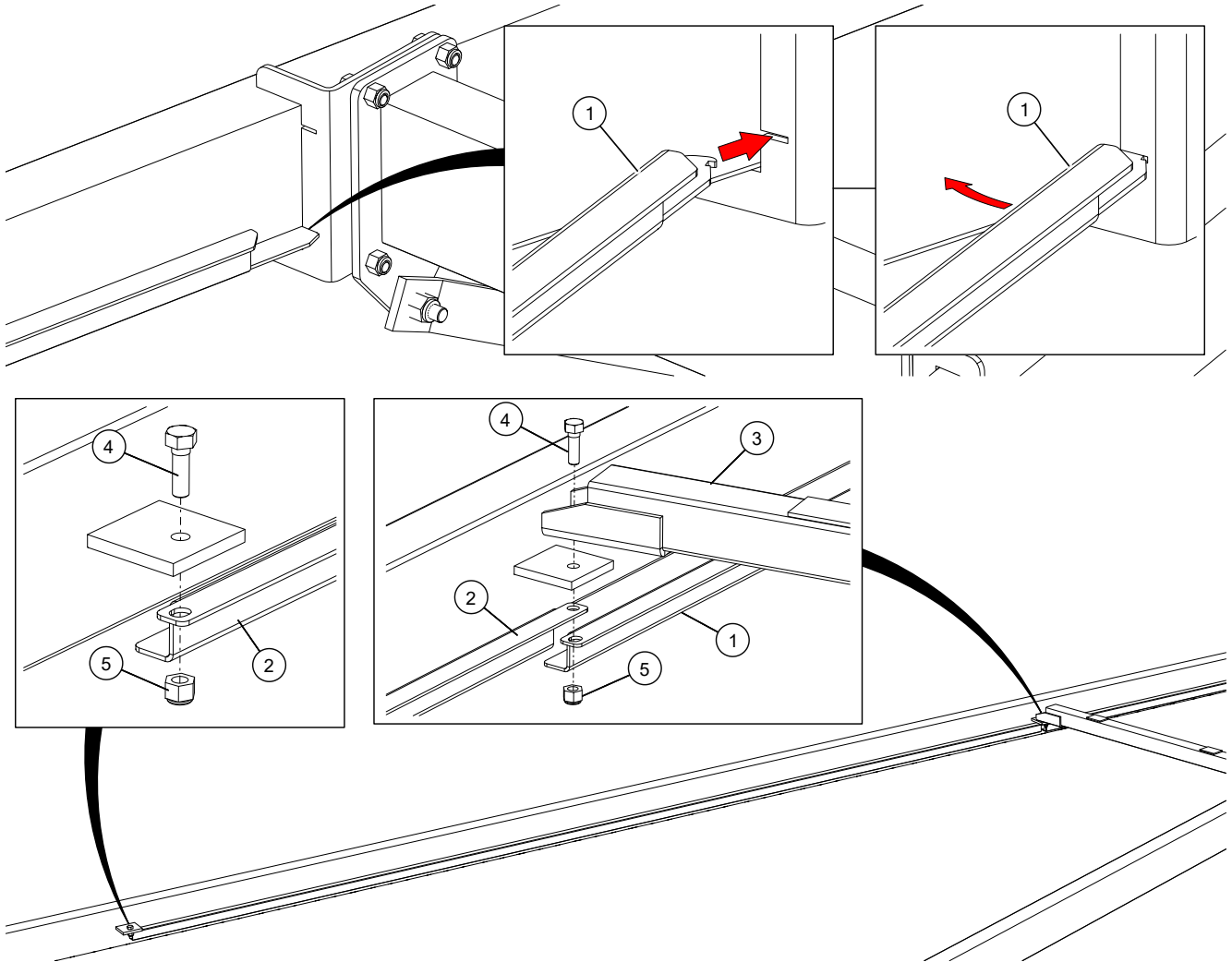
- Run the hydraulic hoses above the bolt under the boot.

1	hydraulic hose, 3/8" x 59"	5	hex bolt, M10 x 65L
2	hydraulic hose assembly, 1/2" x 78"	6	nylock nut, M10
3	hose bracket	7	hydraulic steering manifold assembly
4	line block		

Install the Hydraulic Hoses (Scissor Frame)

This section applies to X² 13-94 models.

Install the Hose Channel Brackets on the Lower Frame

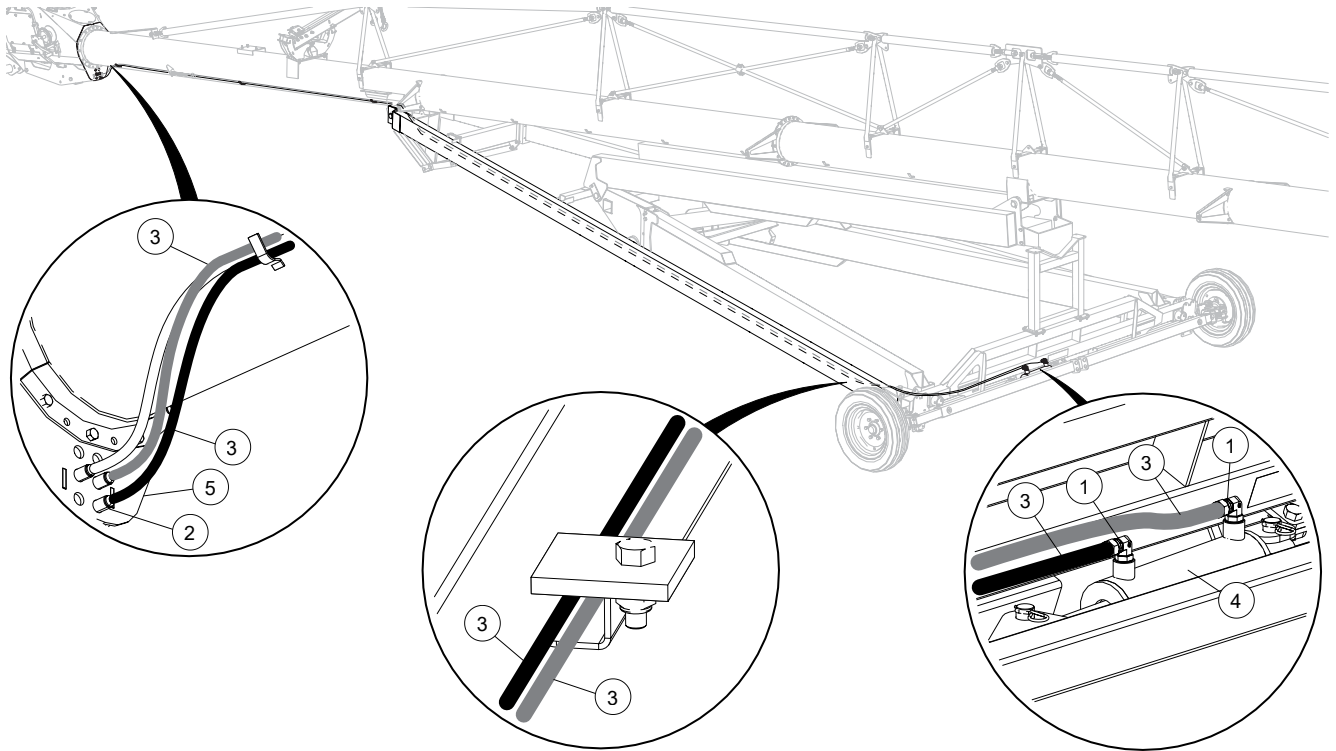


Assembly Note:

- Make sure the short hose channel bracket is hooked into the notch on the lower frame.

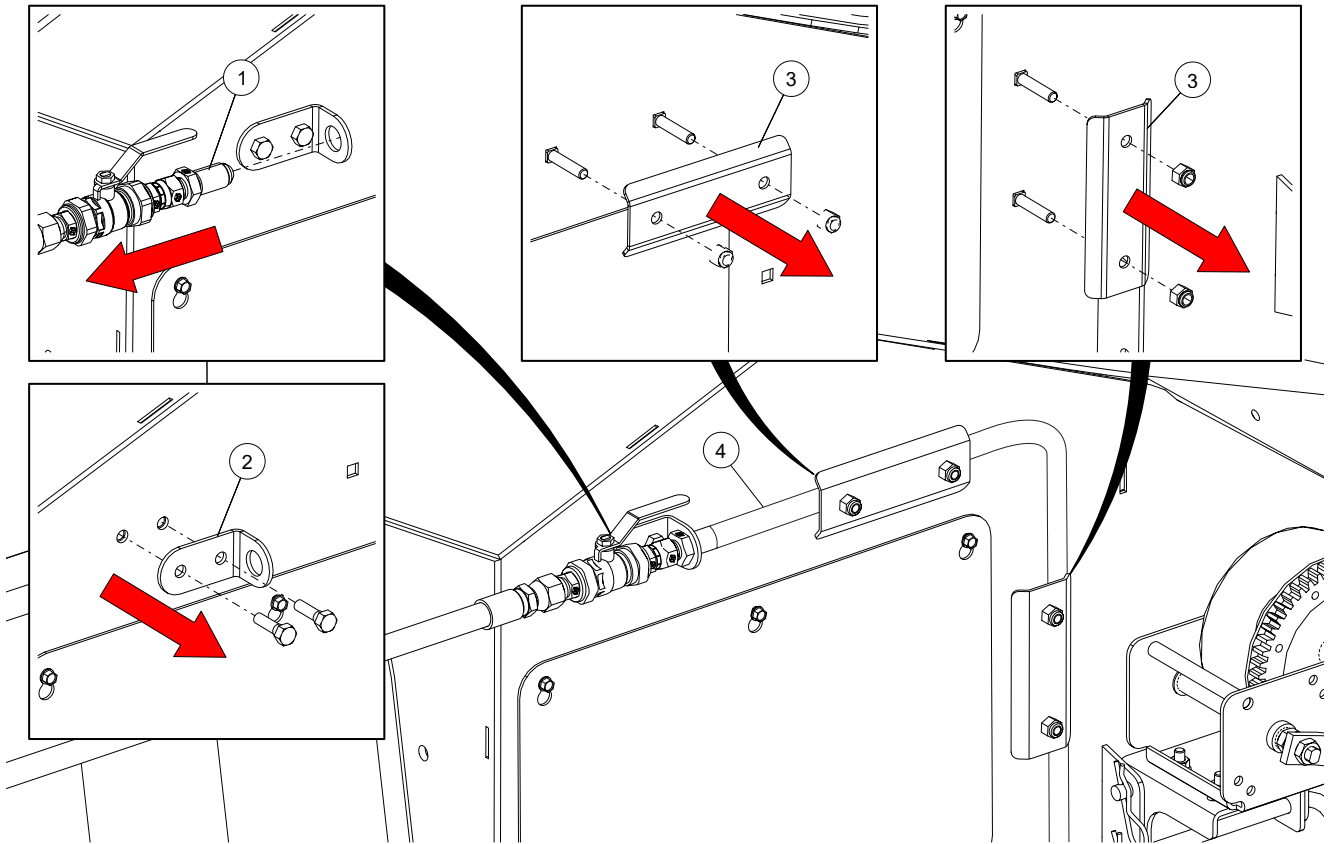
1	hose channel bracket, short	4	hex bolt, M14 x 40L
2	hose channel bracket, long	5	nylock nut, M14
3	scissor rest		

Install the Hydraulic Hoses



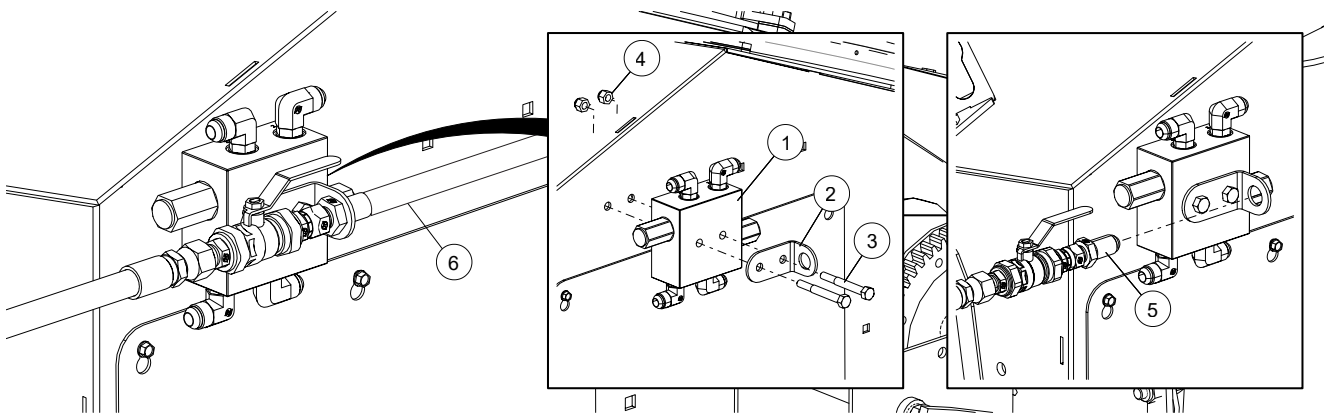
1	elbow fitting	4	cylinder
2	bulkhead coupler fitting	5	boot
3	hydraulic hose, 3/8" x 574"		

Remove the Valve Mount Bracket and Hose Brackets



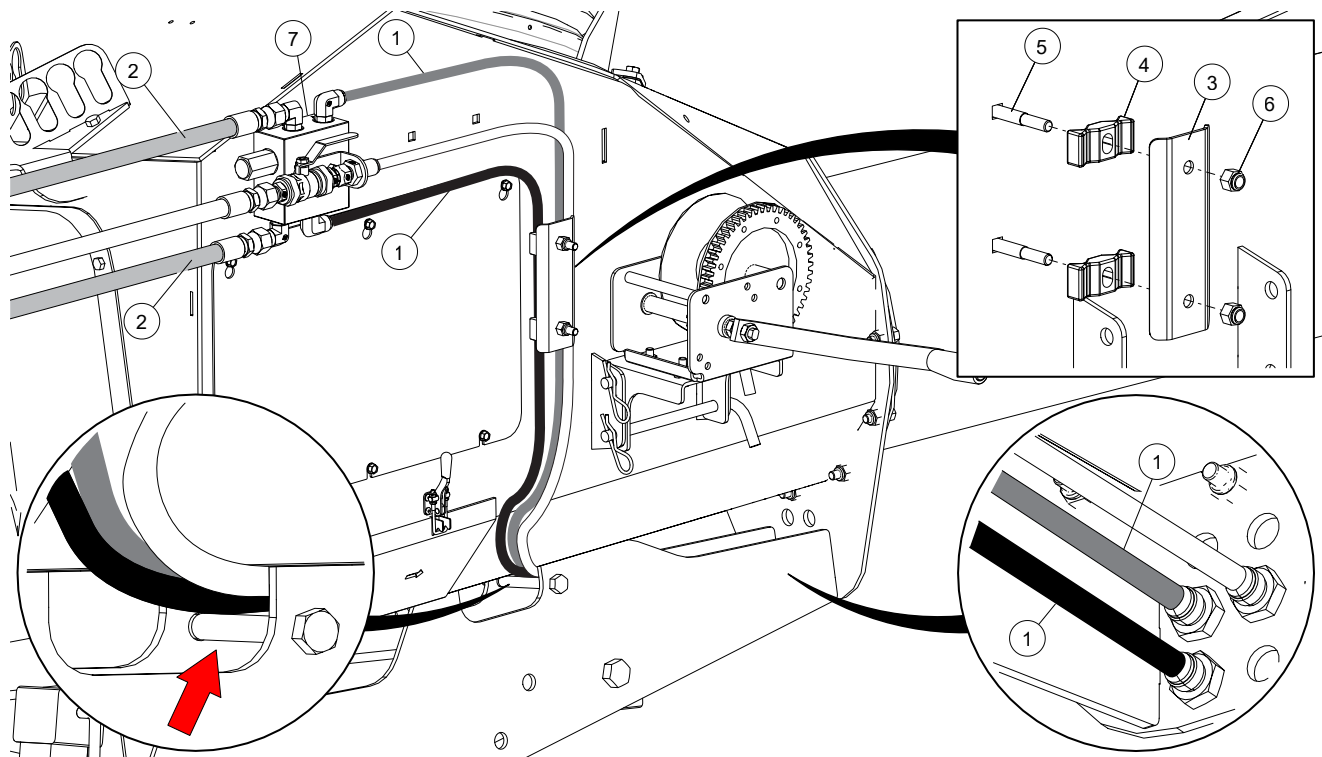
1	hydraulic hose assembly with ball valve	3	hose bracket
2	valve mount bracket	4	hydraulic hose, 3/8" x 59"

Install the Hydraulic Steering Manifold



1	hydraulic steering manifold assembly	4	nylock nut, M10
2	valve mount bracket	5	hydraulic hose assembly with ball valve
3	hex bolt, M10 x 80L	6	hydraulic hose, 3/8" x 59"

Install the Hydraulic Hoses on the Boot



Assembly Note:

- Run the hydraulic hoses above the bolt under the boot.

1	hydraulic hose, 3/8" x 59"	5	hex bolt, M10 x 65L
2	hydraulic hose assembly, 1/2" x 78"	6	nylock nut, M10
3	hose bracket	7	hydraulic steering manifold assembly
4	line block		

Milltec is an AGI Brand.

AGI is a leading provider of equipment solutions for agriculture bulk commodities including seed, fertilizer, grain, and feed systems with a growing platform in providing equipment and solutions for food processing facilities. AGI has manufacturing facilities in Canada, the United States, the United Kingdom, Brazil, South Africa, India and Italy and distributes its products globally.



51-A, 1st Phase, KIADB Industrial Area, Bommasandra Bangalore-560099, India
 P +91.80.27831128 | F +91.80.27831129 | E milltec@milltecmachinery.com

AGGROWTH.COM aggrowthintl
 ©Ag Growth International Inc. 2025 | Printed in India