

# Hutchinson I Mayrath

## INSTALLATION INSTRUCTIONS



This safety symbol is used throughout these instructions to alert you to information about unsafe actions or situations, and may be followed by the word **DANGER**, **WARNING**, or **CAUTION**. **Be Alert! Your safety and the safety of others is involved.**

**DANGER** - Indicates immediate hazards that may result in severe injury or death. **WARNING** - Indicates unsafe actions or situations that may cause severe injury, death and/or major equipment or property damage. **CAUTION** - Indicates unsafe actions or situations that may cause injury, and/or minor equipment or property damage.

**Please remember that safety is the number one priority. Use caution during all phases of the assembly process. Wear proper PPE (personal protective equipment) and follow the safety recommendations included in the manual provided with your equipment.**

### TRUSS REPAIR KIT, PART NO. 1050716

used with

### 13" x 92' & 102' SWING-AWAY PORTABLE AUGERS

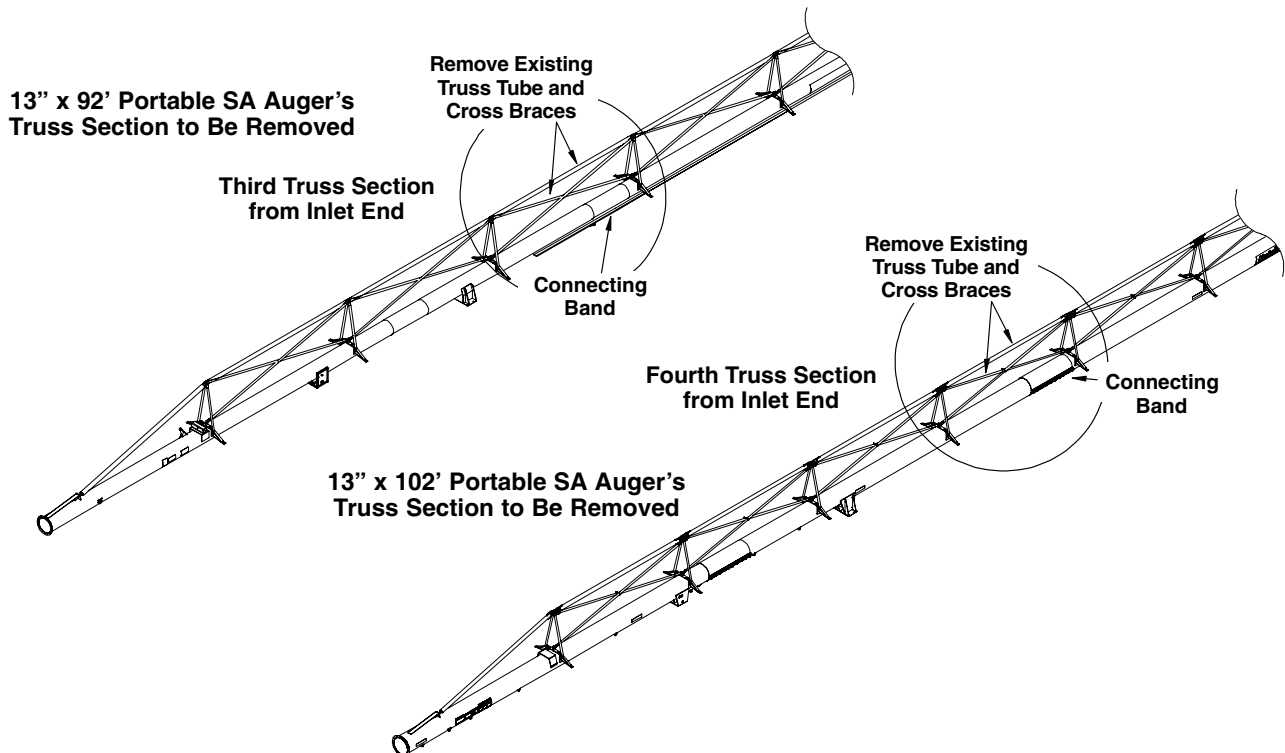
Before beginning assembly it is suggested to read through these instructions and lay out all items from the kit to ensure all parts are accounted for. This not only helps you become familiar with the parts and assembly procedures, but also makes you aware of what tools, equipment or materials you may need to complete the installation process.

#### Remove Existing Truss Section

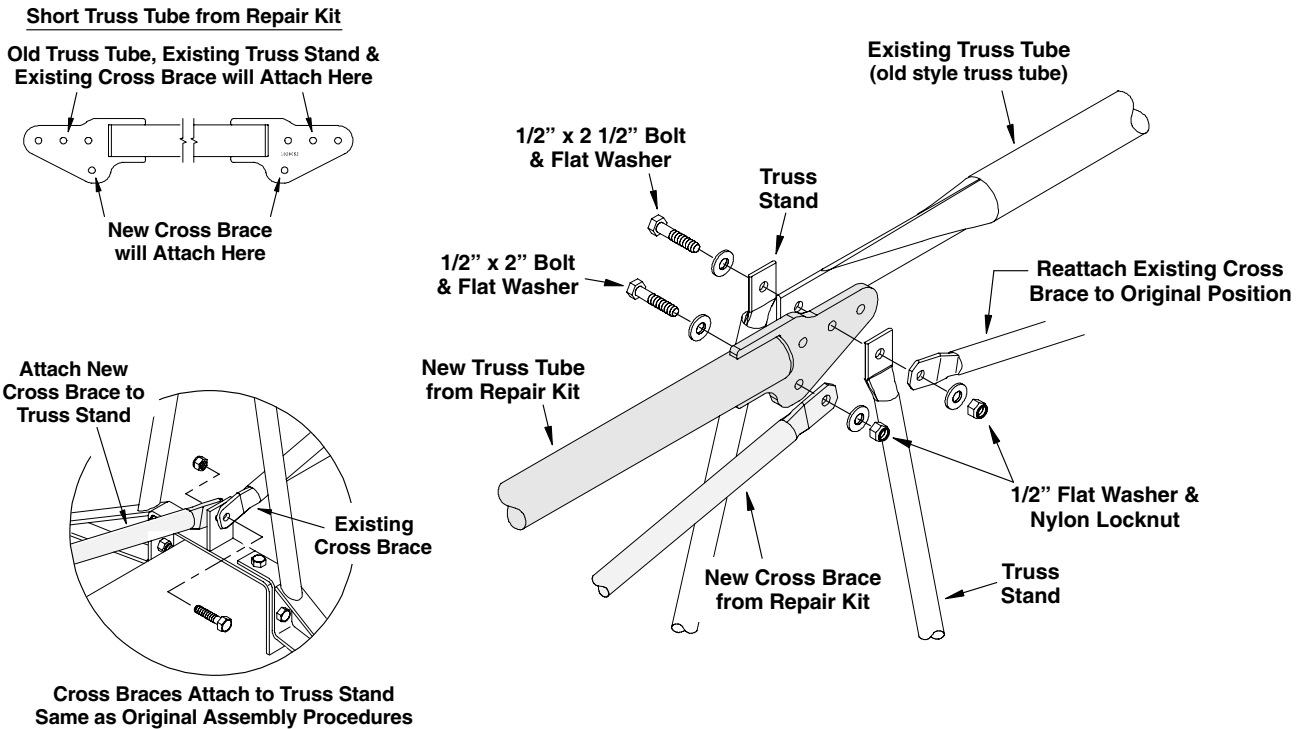
1. Lift the discharge end of the unit and place blocks or similar support stands under the unit.

Remove the existing truss tube and cross braces from the truss sections shown below (**“third” section from the inlet end on 92’ models, “fourth” section from inlet end on 102’ models**). It may be necessary to loosen the hardware on the top truss tubes along the length of the unit to relieve tension on the truss system.

Retain the hardware used for attaching the bottoms of the cross braces to the mount tabs on the truss stands.



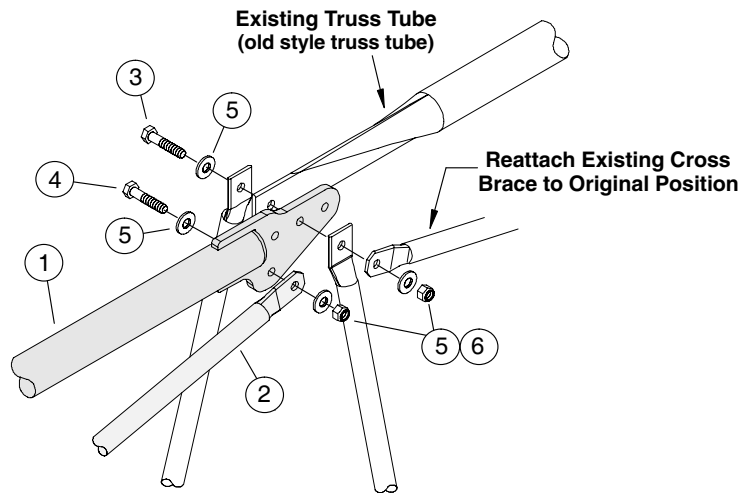
2. Position together the new truss tube and the existing (old) truss tube between the truss stands as shown below. Slide a 1/2" flat washer onto a 1/2" x 2 1/2" bolt and using the middle hole of the new truss tube, loosely secure the tubes to the existing truss stands with another flat washer and nylon locknut (the existing cross braces will also be reattached with this bolt, See illustration below). **It is not necessary to drill out an extra hole in the old truss tube.**
3. Install the new cross braces. The upper part of the cross braces will attach to the lower hole on the mounting ear of the new truss tube using 1/2" x 2" bolts, flat washers and nylon locknuts. The bottom end of the new cross braces will attach to the mount tabs on the truss stands using the hardware previously removed (See below).
4. Start at the inlet end and begin to tighten all hardware, when completed there should be a slight upward bow at the discharge end of the unit.



**PARTS LIST**

**Truss Repair Kit**

**f/ 13" x 92' & 102' Swing-Away  
Portable Augers w/ Rigid Truss**



Ref. No.	Part No.	Description	Ref. No.	Part No.	Description
1	1050056	Truss Weldment f/ 13" x 92' & 102' Swing-Away Auger, Rigid Truss	4	1002228	Bolt, 1/2-13 x 2" G5 PLT
2	1049910	Cross Brace, 121 1/2" long (3.09 m)	5	33025	Washer, 1/2" Flat PLT
3	1002229	Bolt, 1/2-13 x 2 1/2" G5 PLT	6	33138	Nut, 1/2-13 Nylon Lock PLT

# **HUTCHINSON MAYRATH**

MANUFACTURED BY  
**HUTCHINSON | MAYRATH**

P.O. Box 629, 514 W. Crawford Street    **TF** 800.523.6993  
Clay Center, Kansas                        **P** 785.632.2161  
USA 67432                                      **F** 785.632.5964

**[hutchinson-mayrath.com](http://hutchinson-mayrath.com)**