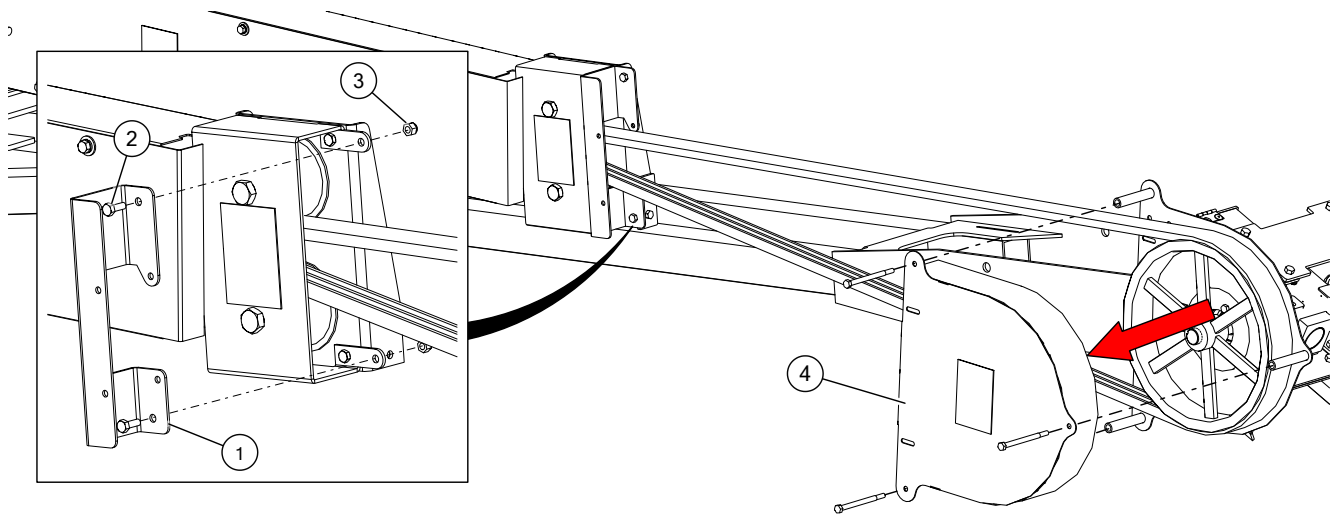


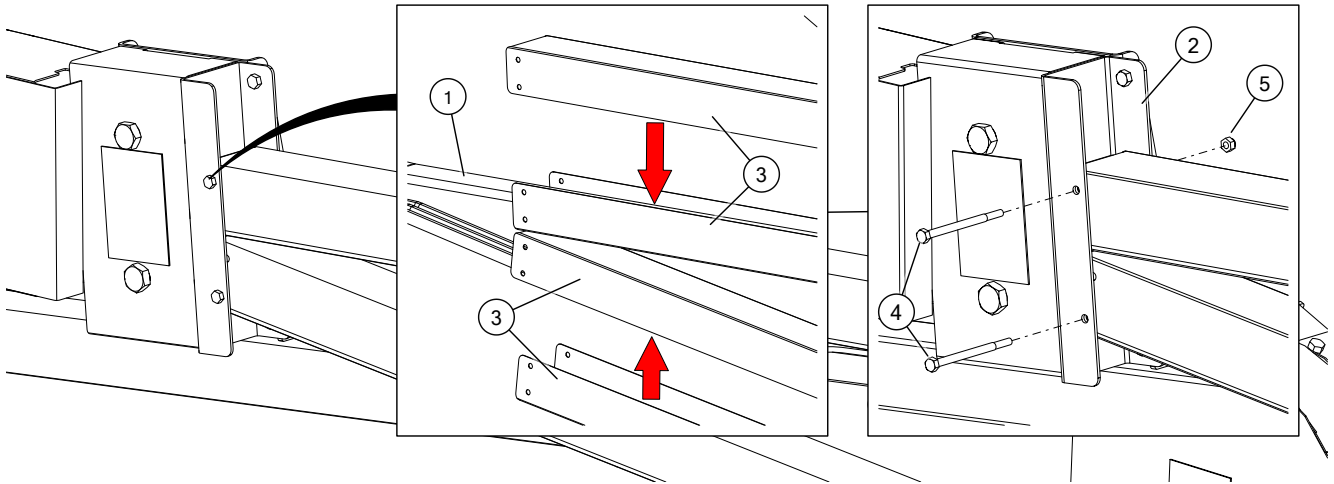


# A437/A438/A439/A440 Fully Enclosed Guarding Kit Portable Grain Auger Installation Instructions

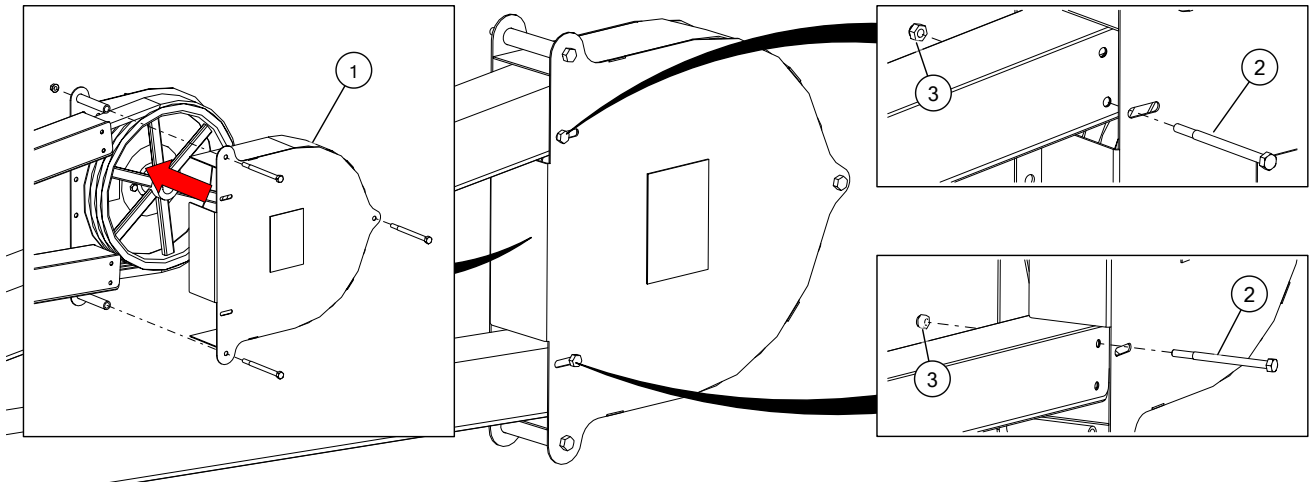
Applicable Models:  
STX2 & XTA Series (Excluding 31')



1	closed guard upper channel mount	3	nylon lock nut, M10
2	hex bolt, M10 x 25	4	pulley cover guard



1	belt	4	hex bolt, M8 x 120
2	closed guard upper channel mount	5	nylon lock nut, M8
3	closed guard channel		



1	pulley cover guard	3	nylon lock nut, M8
2	hex bolt, M8 x 120		

Milltec is an AGI Brand.

AGI is a leading provider of equipment solutions for agriculture bulk commodities including seed, fertilizer, grain, and feed systems with a growing platform in providing equipment and solutions for food processing facilities. AGI has manufacturing facilities in Canada, the United States, the United Kingdom, Brazil, South Africa, India and Italy and distributes its products globally.



51-A, 1<sup>st</sup> Phase, KIADB Industrial Area, Bommasandra Bangalore-560099, India  
 P +91.80.27831128 | F +91.80.27831129 | E milltec@milltecmachinery.com

AGGROWTH.COM aggrowthintl   
 ©Ag Growth International Inc. 2025 | Printed in India