

FIELDPROBE™ Quick Install Guide

Includes:

- 1 Parts and Supplies
- 2 Setting the Probe and Mounting Pole
- 3 Installing the Control Unit
- 4 Start-Up and Location Marking

! IMPORTANT

Cellular Signal Strength

FieldProbe uses cellular network communication to submit soil probe data to the SureTrack software platform. It is very important that good quality cellular signal strength is verified at the installation site before installing product.

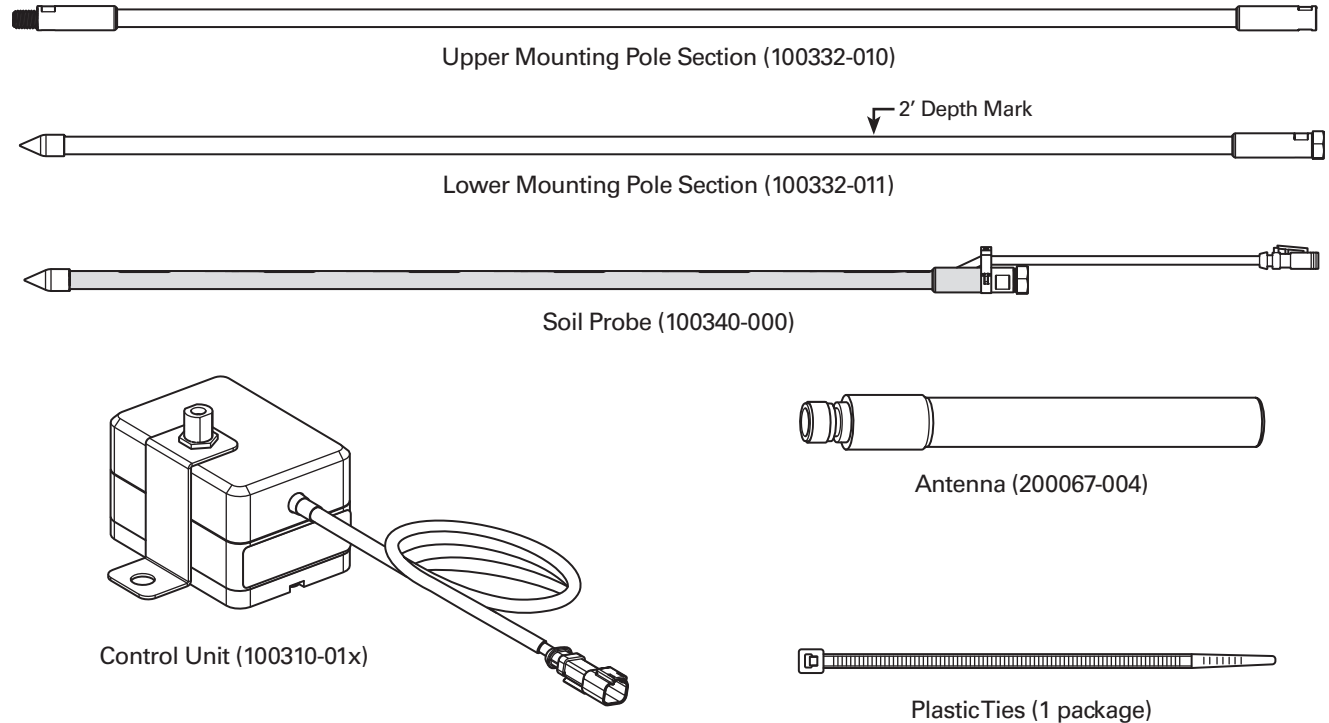
AGI SureTrack Support

Technical Support:
1.855.293.5607
support@agisuretrack.com

Sales Support:
1.855.206.5612
sales@agisuretrack.com

1 Parts and Supplies

REQUIRED TOOLS (not included): 2 lb. Sledge Hammer (or) Slide Hammer (100330-000), 3/4" Wrench, (2) 9/16" Wrenches



NOTE: 12' Location Marking Flag (200206-002), Quick Install Guide (200207-005) and Manual (200207-008) are also included.

Regulatory Compliance

LTE FCC ID: MCQ-XB3M1, XPY2AGQN4NNN
3G FCC ID: XPY1CGM5NNN
LTE IC ID: 1846A-XB3M1, 8595A-2AGQN4NNN
3G IC ID: 8595A-1CGM5NNN

This device complies with Part 15 of the FCC Rules and Industry Canada licence exempt RSS standards.

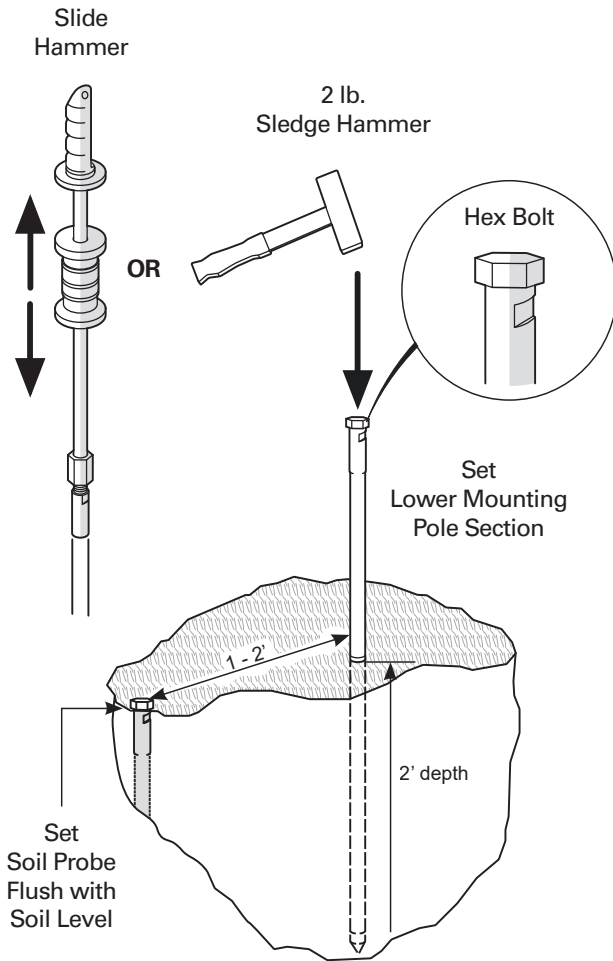
The integrator is responsible for its product to comply with IC ICES-003 and FCC Part 15 Sub. B -Unintentional Radiators. ICES-003 is the same as FCC Part 15 Sub. B and Industry Canada accepts FCC test reports of CISPR 22 test report for compliance with ICES-003.

This device complies with Industry Canada licence-exempt RSS standard(s).

Operation is subject to the following two conditions: (1) this device may not cause interference, and (2) this device must accept any interference, including interference that may cause undesired operation of the device.

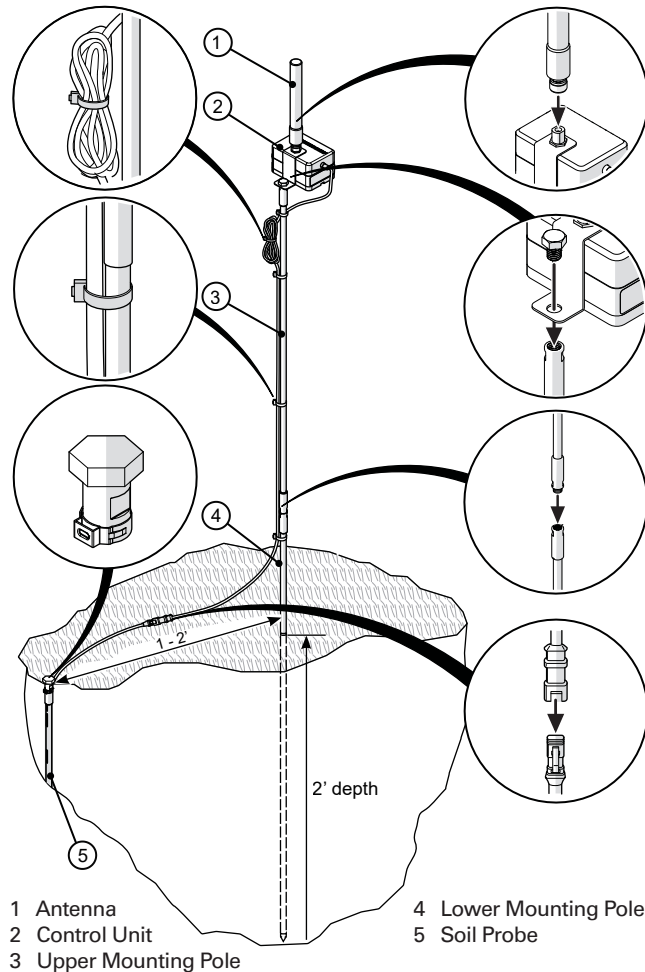
Le présent appareil est conforme aux CNR d'Industrie Canada applicables aux appareils radio exempts de licence. L'exploitation est autorisée aux deux conditions suivantes: (1) l'appareil ne doit pas produire de brouillage, et (2) l'utilisateur de l'appareil doit accepter tout brouillage radioélectrique subi, même si le brouillage est susceptible d'en compromettre le fonctionnement.

2 Set Probe and Mounting Pole



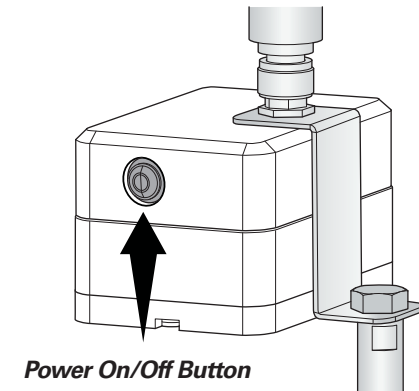
- Remove hex bolt from upper mounting pole, then thread this bolt into the lower mounting pole for installation.
- For exceptionally hard or rocky soils, pre-drill soil with a 1/2" x 24" masonry bit.
- Slide Hammer (100330-000) is not included, but is available for purchase from AGI SureTrack.
- Ensure a 1-2' spacing between Soil Probe and Lower Mounting Pole Section.

3 Install Control Unit



- Remove hex bolt from Lower Mounting Pole.
- Thread Upper Mounting Pole into Lower Mounting Pole.
- Use previously removed hex bolt to mount Control Unit to Upper Mounting Pole.
- Tighten all Hex Bolts and Pole connections securely.
- Fasten the cable to the Pole with cable ties at the bottom of the Mounting Pole, at 1' spacing along the Pole, and at the top of the Pole.
- Gather and fasten slack cable near top of Mounting Pole.

4 Start-Up and Location Marking



Press the Power On/Off button to begin the start-up sequence. During start-up, the Control Unit makes a series of beeps (beep codes) as each stage of start-up is completed. Track the start-up beep codes and determine if start-up is successful.

Start-Up Beep Codes

See the FieldProbe User Manual for detailed start-up and troubleshooting information.

- 1 Beep Power is on
- 2 Beeps FieldProbe read successful
- 3 Beeps Cellular communications established
- 4 Beeps SureTrack platform communication established
- 5 Beeps Failure of: cellular network, connectivity or submission of data to SureTrack platform, or GPS location
- 6 Beeps GPS location locked
- 7 Beeps Data submitted to SureTrack

Location Marking Flag

Install the Location Marking Flag Pole 6' from the Mounting Pole to ensure that it is close to the FieldProbe, but cannot physically interfere with it during high winds.

Important: Never install the Location Marking Flag Pole directly to the Mounting Pole.