



A391/A393 Reversible Gearbox Kit Portable Grain Auger Installation Instructions

This manual applies to:

AGI Westfield STX2

AGI XTA



Read and understand the safety information in the Portable Grain Auger manuals before proceeding. Read and understand the instructions in this manual before installing the Reversible Gearbox Kit. Fully disengage and lock out the Portable Grain Auger before installing.

Pre-Installation Instructions

- Familiarize yourself with all the required hardware.
- Arrange all parts for easy access.

Reversible Gearbox Kit Installation

Important

During assembly, ensure the reversible gearbox components do not interfere with any other auger components. Be sure to reattach all guards.

1. If present, remove the existing gearbox from the auger.
2. Install the new reversing gearbox, chain coupler, and belt pulley as detailed in the auger assembly manual.

Note

The following steps are not required for the 31' models.

3. Mount the detent lever assembly to the auger tube.
4. Use the gearbox shifter to move the gearbox into either forward or reverse position.
5. Move the detent lever to the same position as the gearbox shifter (forward or reverse). Ensure the lock pin is engaged with the bracket.
6. Attach the gearbox push rod to the straight gearbox handle extension.
7. Thread the adjust lug roughly halfway into the straight gearbox handle extension.
8. Connect the gearbox push rod to the gearbox shifter. This joint must pivot — do not over-tighten.
9. Loosely attach the adjust lug to the detent lever.

10. Disengage the lock pin and move the detent lever from forward to reverse a few times.

Important

- Ensure the gearbox fully engages in both directions when moving the lever back and forth.
- The gearbox should be fully engaged when the lock pin is in the hole.

11. If the gearbox does not shift evenly in both directions, use the adjust lug to increase or decrease the length of the gearbox handle extension as required.

Figure 1. Detent Lever and Offset Tube Attachment

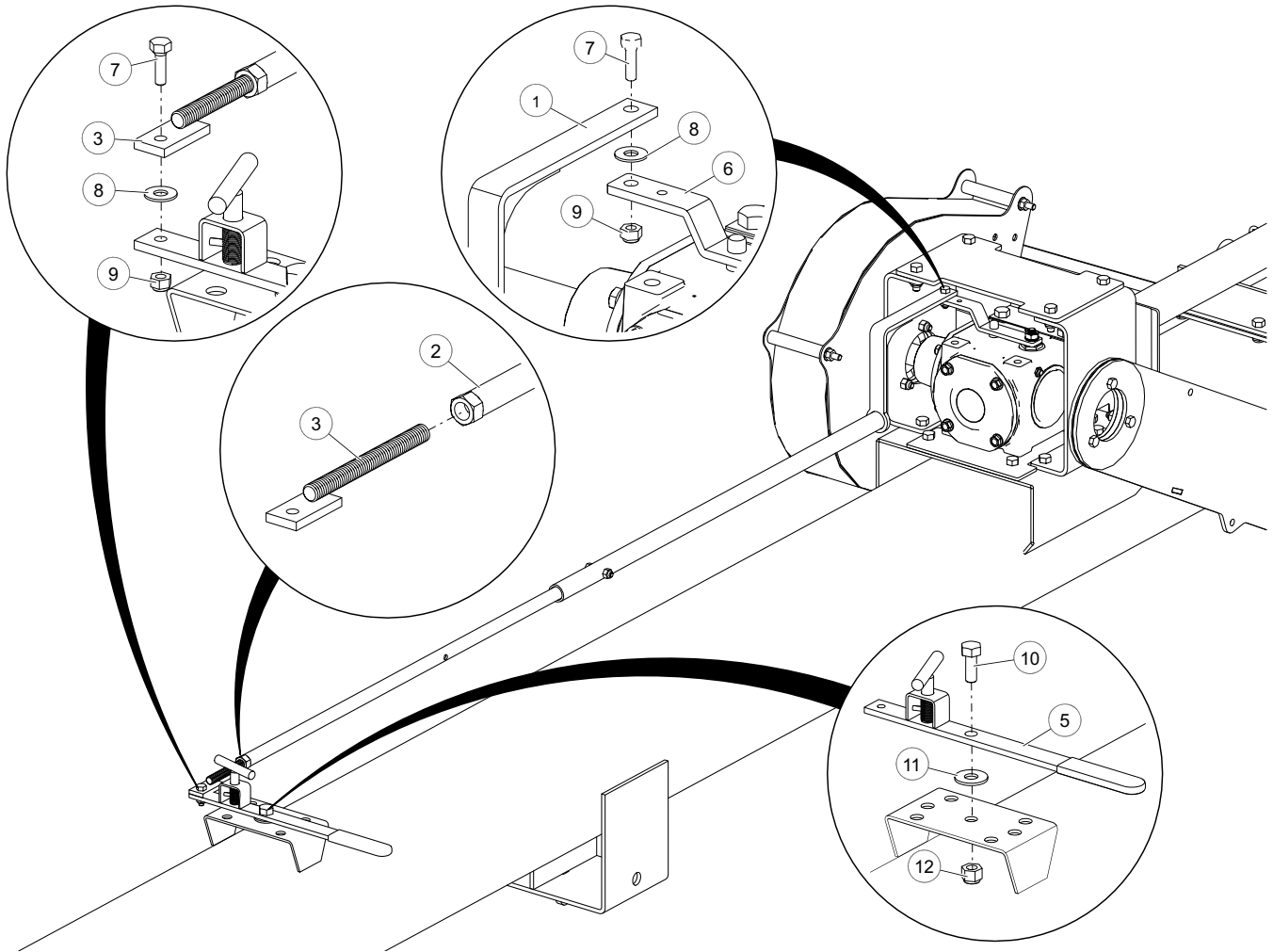
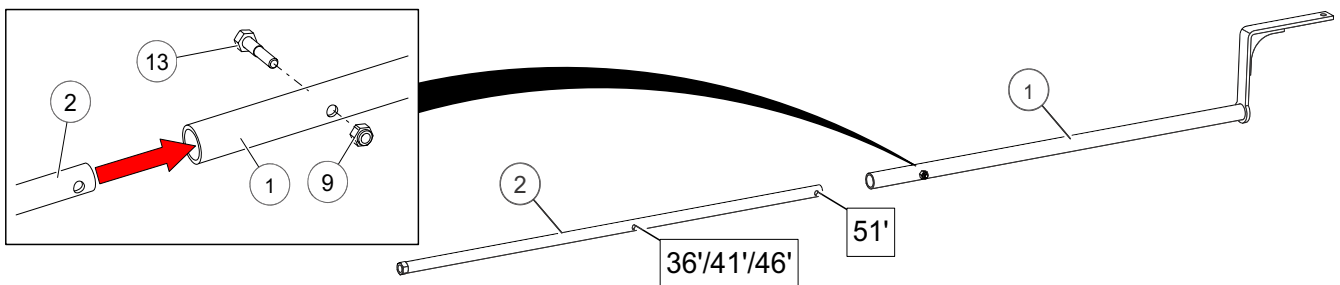


Figure 2. Hole Positions in Straight Gearbox Handle Extension



1	gearbox push rod	8	washer, M8
2	gearbox handle extension, straight	9	nylon lock nut, M8
3	adjust lug	10	hex bolt, M14 x 30
4	lock pin	11	washer, M14
5	detent lever assembly	12	nylon lock nut, M14
6	gearbox shifter	13	hex bolt, M8 x 40
7	hex bolt, M8 x 25		

Milltec is an AGI Brand.

AGI is a leading provider of equipment solutions for agriculture bulk commodities including seed, fertilizer, grain, and feed systems with a growing platform in providing equipment and solutions for food processing facilities. AGI has manufacturing facilities in Canada, the United States, the United Kingdom, Brazil, South Africa, India and Italy and distributes its products globally.



51-A, 1st Phase, KIADB Industrial Area, Bommasandra Bangalore-560099, India
 P +91.80.27831128 | F +91.80.27831129 | E milltec@milltecmachinery.com

AGGROWTH.COM aggrowthintl
 ©Ag Growth International Inc. 2025 | Printed in India