



A184

Low Profile Hopper Tarp

Portable Grain Auger Installation Instructions

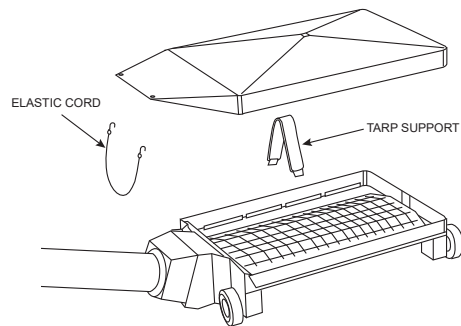
This manual applies to:

AGI Westfield MKX², X² 10/13 Series

AGI X² 10/13 Series

Attaching the Hopper Tarp

1. Attach the tarp support by locking it into the centre of the hopper shield mesh. The tarp support forms a peak in the tarp for better water run-off.
2. Pull the tarp over the hopper and attach the elastic cord around the bottom of the swing tube and hook each end of the cord into the grommets.
3. For transport with the tarp on, remove the front corner just enough to hook up the hopper lift cable.



Note

The tarp support is easily removed when the low profile hopper is needed.

Milltec is an AGI Brand.

AGI is a leading provider of equipment solutions for agriculture bulk commodities including seed, fertilizer, grain, and feed systems with a growing platform in providing equipment and solutions for food processing facilities. AGI has manufacturing facilities in Canada, the United States, the United Kingdom, Brazil, South Africa, India and Italy and distributes its products globally.



51-A, 1st Phase, KIADB Industrial Area, Bommasandra Bangalore-560099, India
P +91.80.27831128 | F +91.80.27831129 | E milltec@milltecmachinery.com

AGGROWTH.COM aggrowthintl ©Ag Growth International Inc. 2025 | Printed in India

