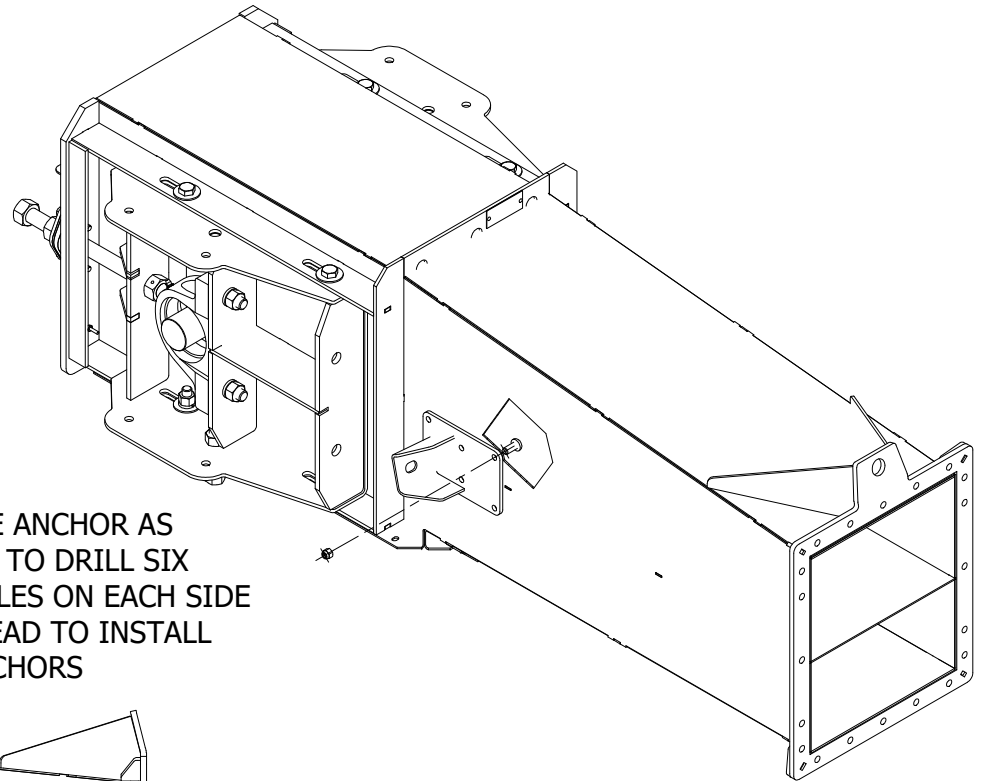
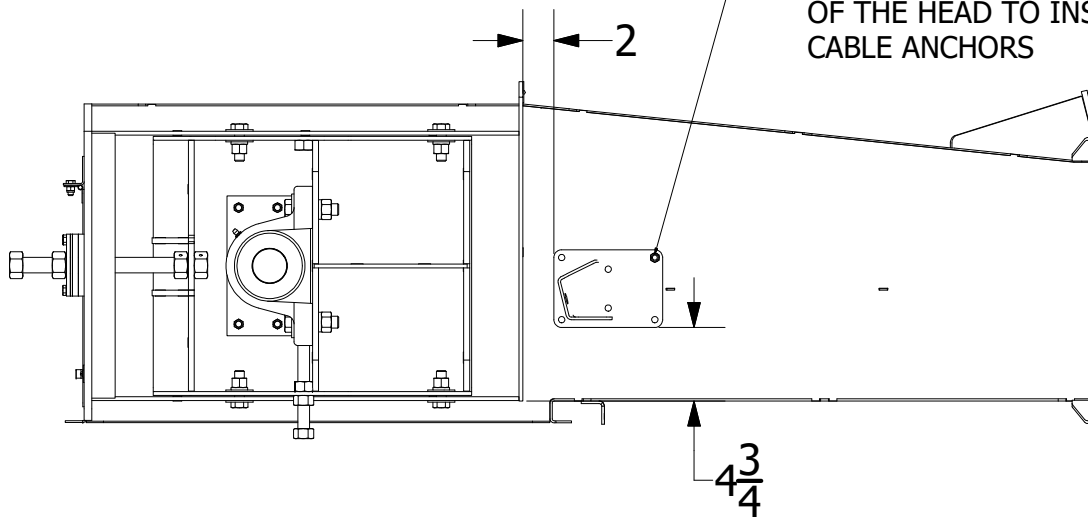


**1053345**



USE CABLE ANCHOR AS  
TEMPLATE TO DRILL SIX  
13/32" HOLES ON EACH SIDE  
OF THE HEAD TO INSTALL  
CABLE ANCHORS



NOTE:  
INSTALL ANCHORS WITH SIX  
BOLTS AND NYLON LOCK  
NUTS.  
PUT HEADS OF BOLTS ON  
INSIDE OF CONVEYOR HEAD.