



A532/A537

Standalone Electric Winch Kit

Portable Grain Auger Installation Instructions

These instructions explain how to install an electric winch on an auger that is not equipped with an existing electric power swing. This kit includes all of the parts required to operate the electric winch independently.

This manual applies to:

AGI Westfield MKX², X² 10/13 Series

AGI X² 10/13 Series

Safety & Preparation

Prepare properly:

- Read and understand the safety guidelines in the Portable Grain Auger Assembly Manual before proceeding.
- Fully lower, disengage and lock out the auger before installing.
- Organize all parts for easy access.

Removing the Old Winch

If retrofitting the electric winch on an existing auger, you will need to remove the existing manual or hydraulic winch.

1. Unwind the cable from the manual or hydraulic winch spool.
2. Loosen or remove the cable clamp, then detach the cable from the spool.
3. Remove the old winch.

Electric Winch Installation

1. Remove the guard.
2. Install the electric winch onto the mounting plate.

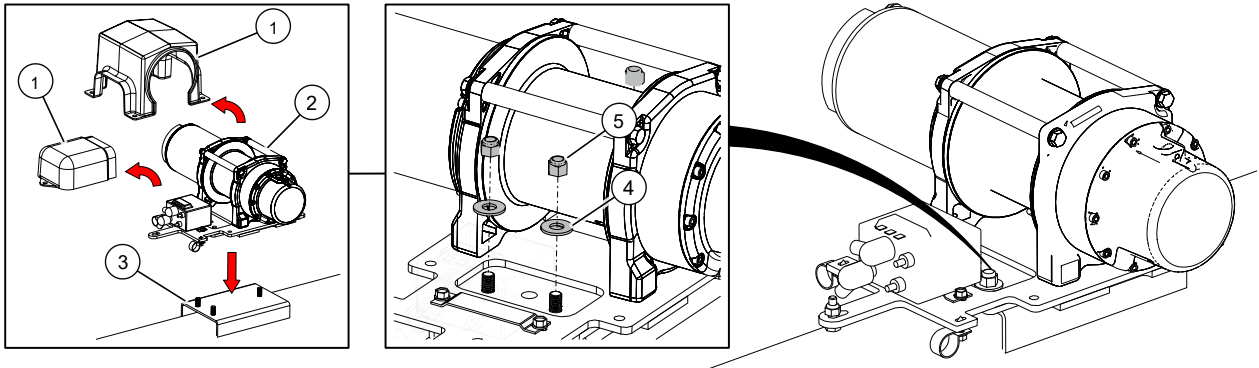
① winch guard

② electric winch

③ winch mounting plate

④ flat washer, M10

⑤ nylon lock nut, M10



3. **10 Series Augers only:** Connect the pulley guide to the lift arm.

4. Route the winch cable through the pulleys.

10 Series Models

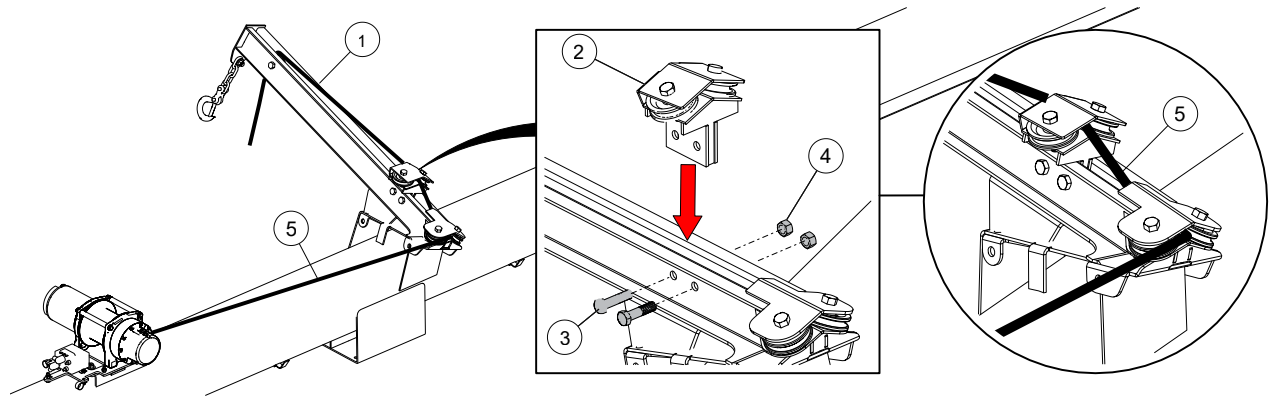
① lift arm

② pulley guide

③ hex bolt, M14 x 65

④ hex – nylon lock nut, M14

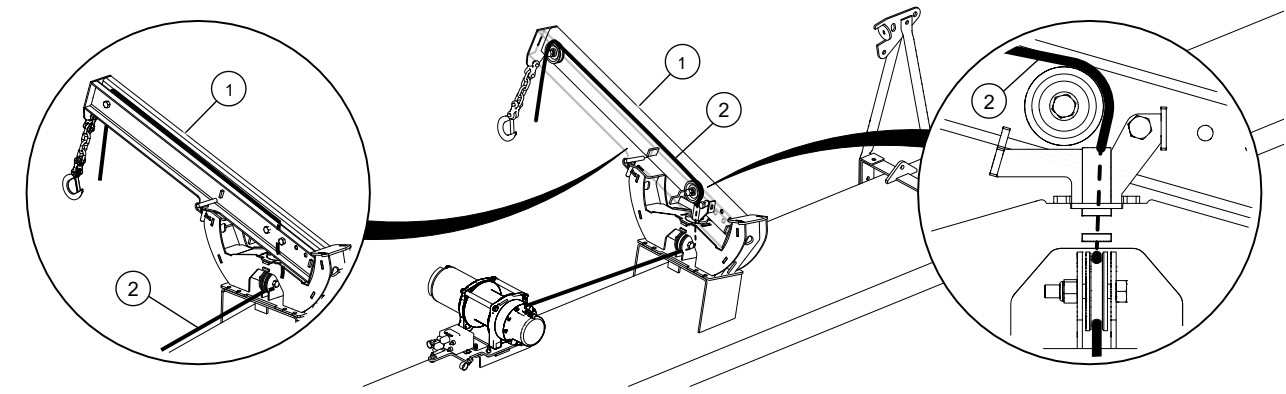
⑤ winch cable



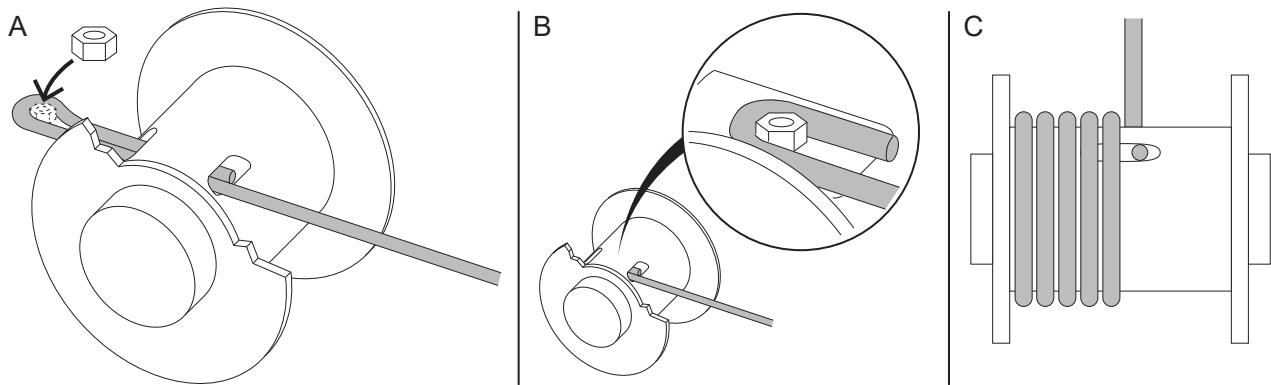
13 Series Models

① lift arm

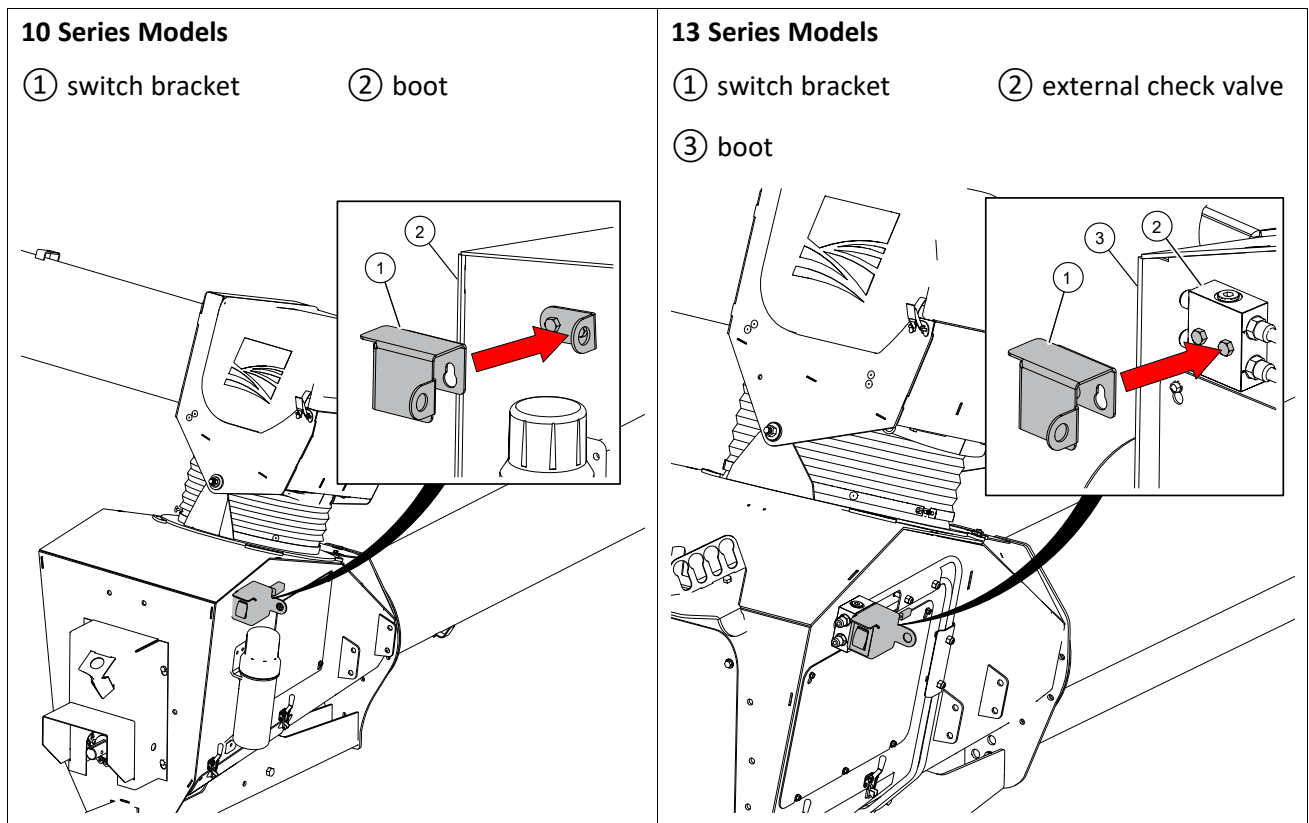
② winch cable



5. Route the winch cable to the winch drum, and secure the cable with a 7/16" hex nut or wedge. Maintain a minimum of 5 wraps of cable on the drum.

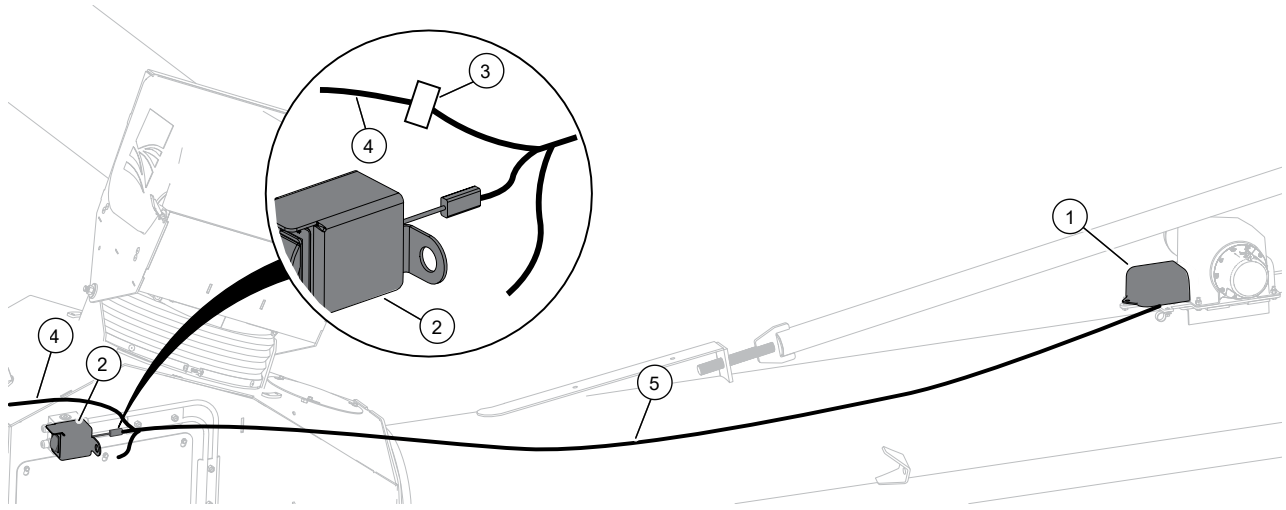


6. Connect the switch mount bracket assembly to the boot.



7. Route the winch control harness and use the connectors to secure it to the tractor harness and switch mount bracket assembly. Secure the harnesses to the auger with cable clamps.

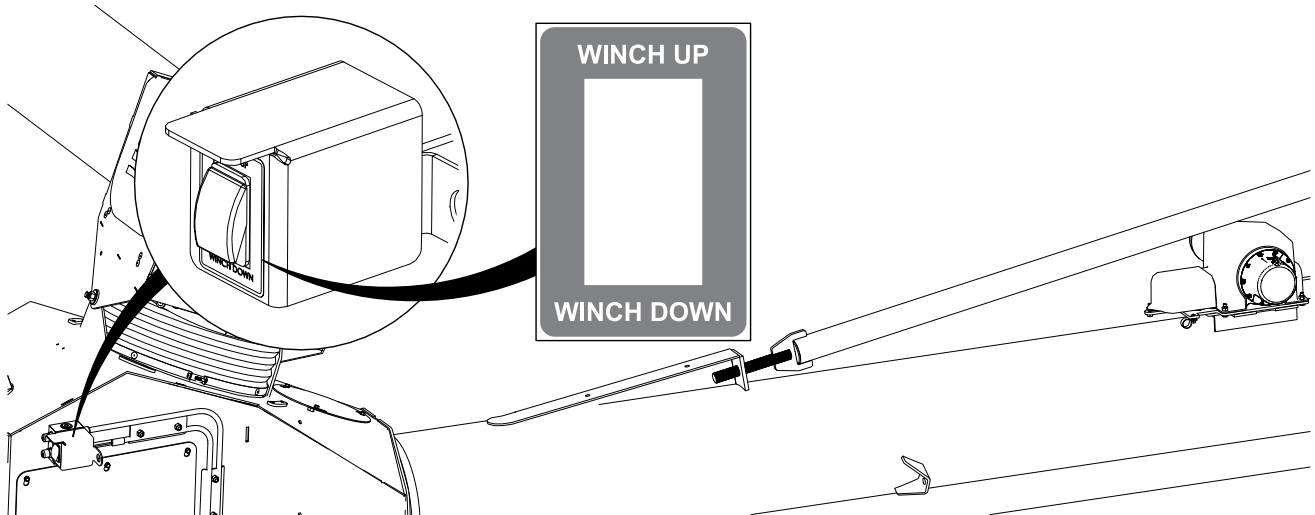
- ① electric winch
- ② switch mount bracket
- ③ connector
- ④ tractor harness
- ⑤ winch control harness



Operation Instructions

NOTICE If the cables are not connected properly, the electric controller will be damaged.

1. Connect the positive wire (with circuit breaker) to the tractor battery’s positive terminal.
2. Connect the negative wire on the tractor chassis ground.
3. To operate, use the switch to control the up/down movement of the swing auger.



Milltec is an AGI Brand.

AGI is a leading provider of equipment solutions for agriculture bulk commodities including seed, fertilizer, grain, and feed systems with a growing platform in providing equipment and solutions for food processing facilities. AGI has manufacturing facilities in Canada, the United States, the United Kingdom, Brazil, South Africa, India and Italy and distributes its products globally.

AGI MILLTEC

51-A, 1st Phase, KIADB Industrial Area, Bommasandra Bangalore-560099, India
 P +91.80.27831128 | F +91.80.27831129 | E milltec@milltecmachinery.com

AGGROWTH.COM agrowthintl
 ©Ag Growth International Inc. 2026 | Printed in India