



A538/A539

Add-On Electric Winch Kit

Portable Grain Auger

Installation Instructions

These instructions explain how to install an electric winch on an auger that has an existing electric power swing. This kit includes all of the parts required to integrate the electric winch into the existing electrical system.

This manual applies to:

AGI Westfield MKX², X² 10/13 Series

AGI X² 10/13 Series

Safety & Preparation

Prepare properly:

- Read and understand the safety guidelines in the Portable Grain Auger Assembly Manual before proceeding.
- Fully lower, disengage and lock out the auger before installing.
- Organize all parts for easy access.

Removing the Old Winch

If retrofitting the electric winch on an existing auger, you will need to remove the existing manual or hydraulic winch.

1. Unwind the cable from the manual or hydraulic winch spool.
2. Loosen or remove the cable clamp, then detach the cable from the spool.
3. Remove the old winch.

Electric Winch Installation

1. Remove the winch guard.
2. Install the electric winch onto the mounting plate.

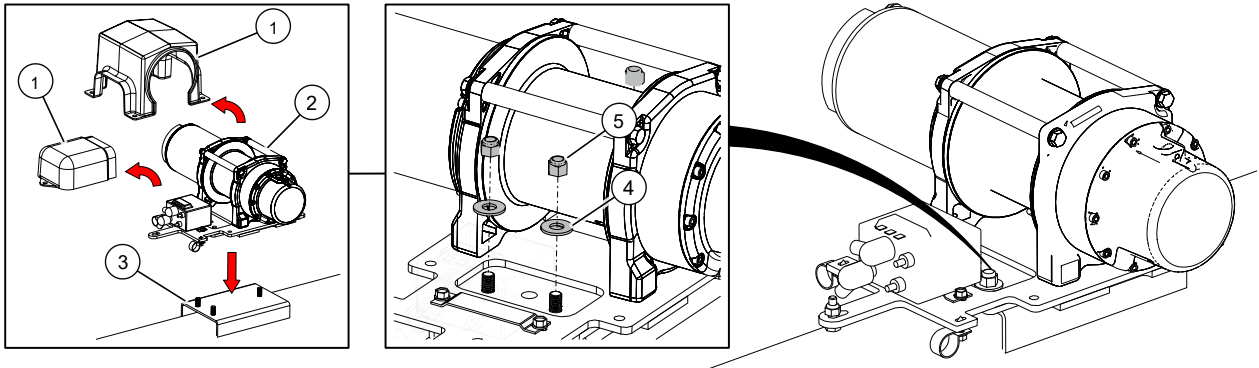
① winch guard

② electric winch

③ mounting plate

④ flat washer, M10

⑤ nylon lock nut, M10



3. **10 Series Models only:** Connect the pulley guide to the lift arm.

4. Route the winch cable through the pulleys on the lift arm.

10 Series Models

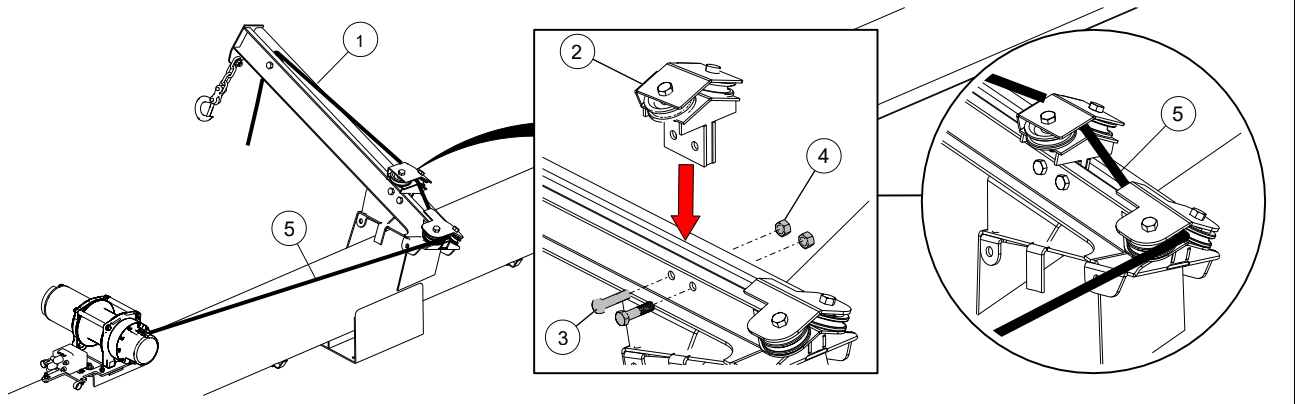
① lift arm

② pulley guide

③ hex bolt, M14 x 65

④ hex – nylon lock nut, M14

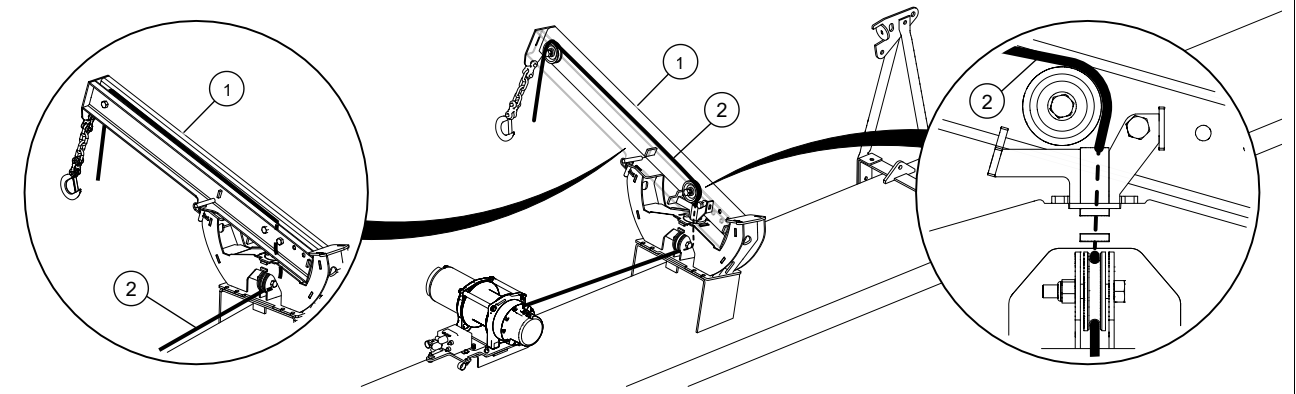
⑤ winch cable



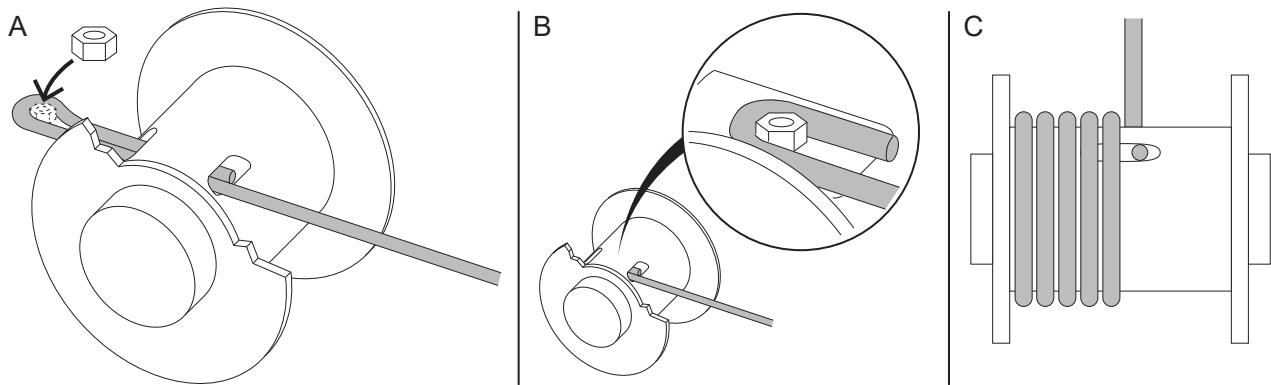
13 Series Models

① lift arm

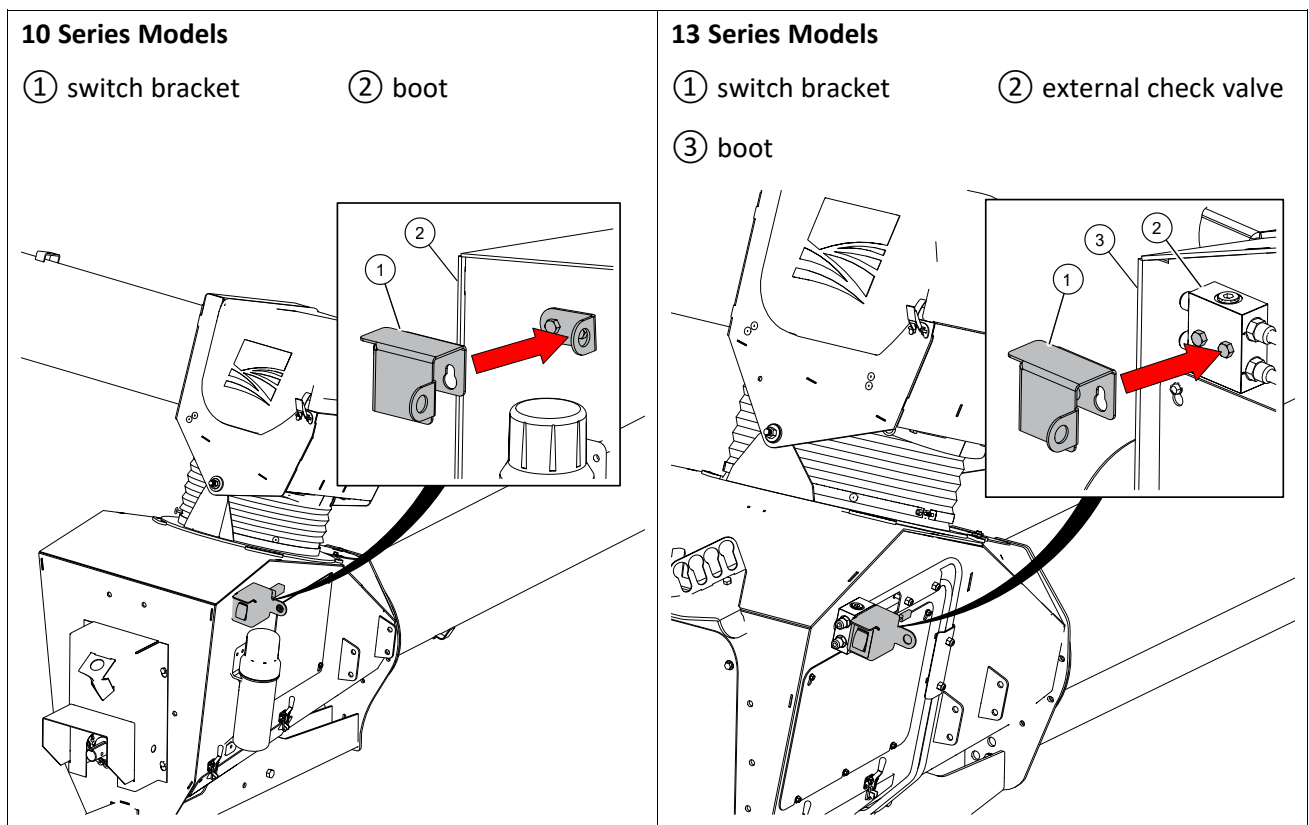
② winch cable



5. Route the winch cable to the winch drum, and secure the cable with a 7/16" hex nut or wedge. Maintain a minimum of 5 wraps of cable on the drum.



6. Connect the switch bracket to the boot (or the external check valve on the boot).



7. Route the winch control harness and use the connectors to secure it to the boot-to-swing harness, switch bracket, tractor harness, and electric winch switch. Secure the harnesses to the auger with cable clamps.

① electric winch

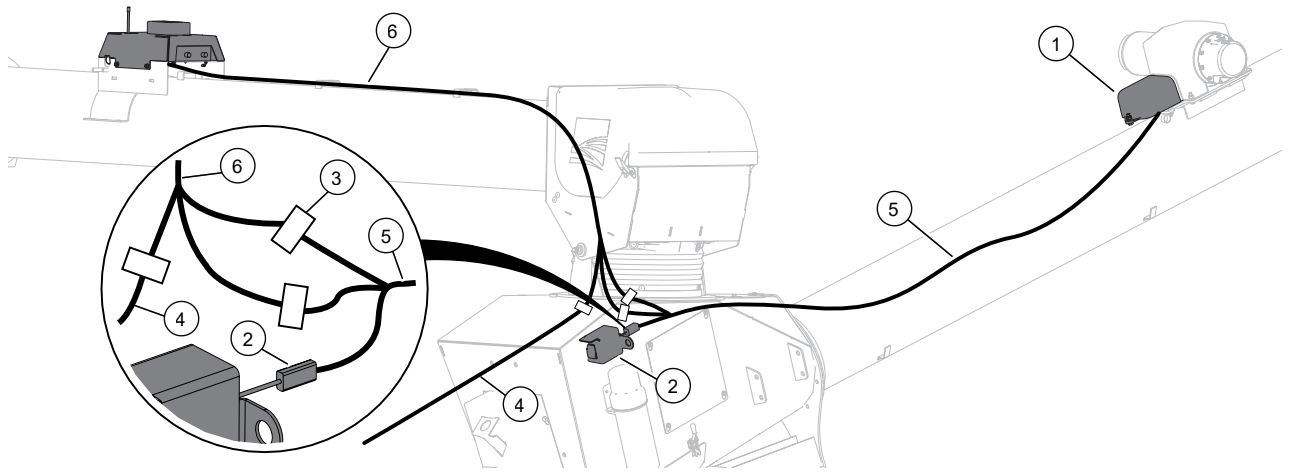
② switch bracket

③ connector

④ tractor harness

⑤ winch control harness

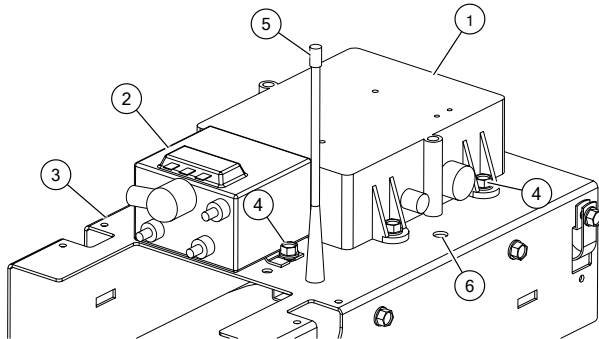
⑥ boot-to-swing harness



Receiver Installation & Wiring

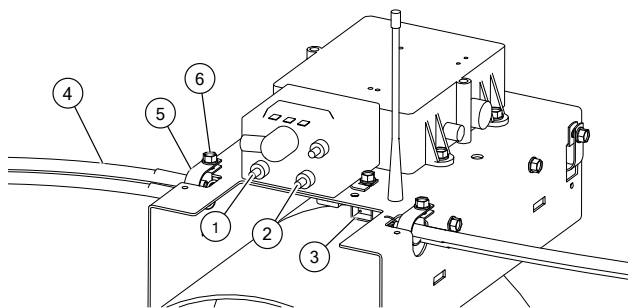
Mount the Receiver:

1. Mount the receiver and the contactor to the receiver mount using 14 x 5/8" sheet metal screws.
2. Route the antenna wire inside the tube and secure it.



- ① receiver
- ② contactor
- ③ receiver mount
- ④ sheet metal screw, 14 x 5/8"
- ⑤ antenna
- ⑥ antenna cable routing

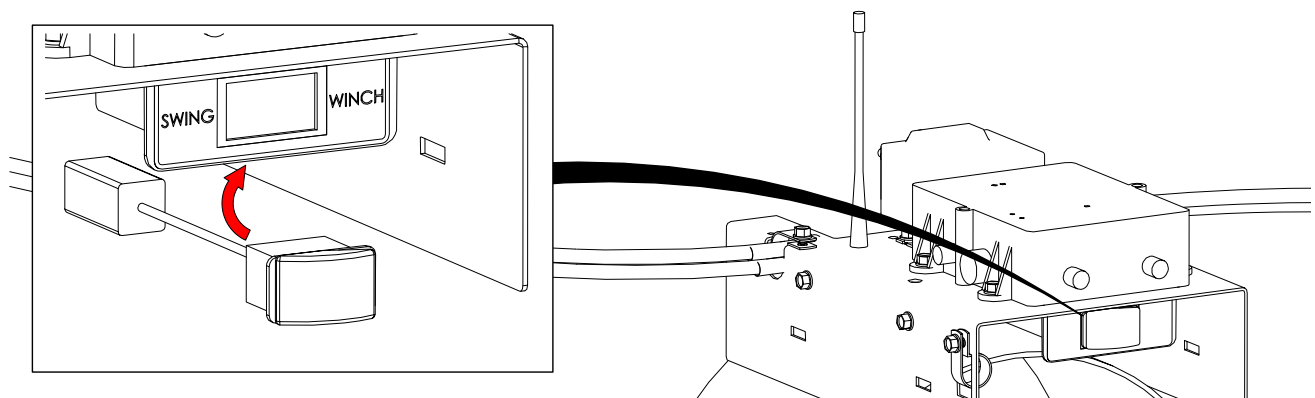
3. Connect matching color-coded terminals and wires with the provided bolts and washers.
4. Secure the boot-to-swing harness clamps with screws.



- ① red
- ② black
- ③ boot-to-swing harness
- ④ harness
- ⑤ clamp
- ⑥ screw

Mount the Rocker Switch:

1. Snap the rocker switch into the receiver mount.
2. Route the boot-to-swing harness inside the receiver mount and secure it.



Operation Instructions

Connecting the Cables to the Tractor

NOTICE If the cables are not connected properly, the electric controller will be damaged.

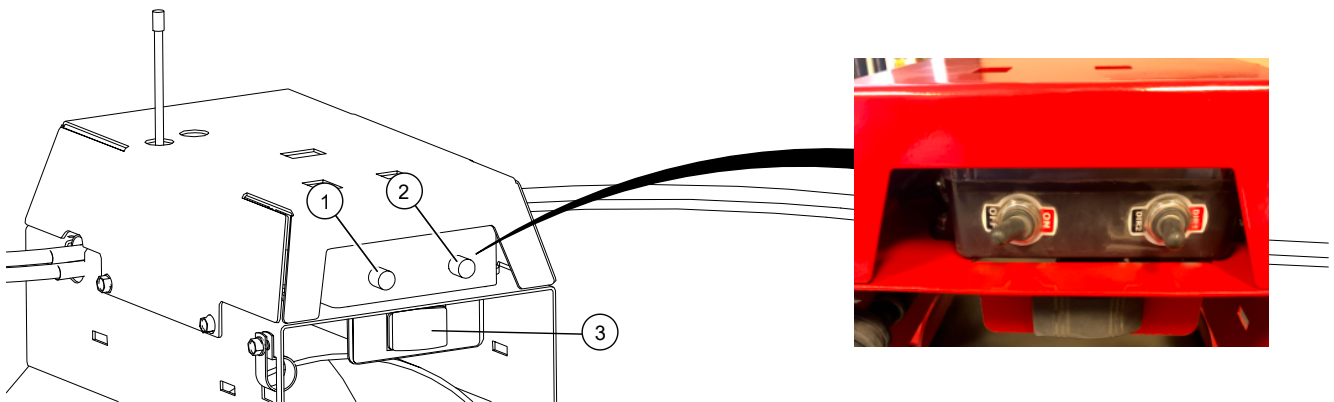
1. Connect the positive wire (with circuit breaker) to the tractor battery's positive terminal.
2. Connect the negative wire on the tractor chassis ground.

Receiver Box Operation

① power switch

② direction switch

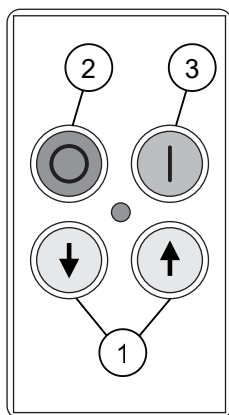
③ rocker switch



1. Flip the power switch **ON** on the power swing remote receiver box.
2. Flip the rocker switch to change between operating the power swing or electric winch.
3. Move the **direction switch** to the desired direction (**Dir1 or Dir2**) to move the swing auger up and down, or side to side.
4. Release the switch to stop the swing auger.

Remote Transmitter Operation

The remote transmitter moves the hopper from side-to-side and lifts it up and down.



① hopper direction controls

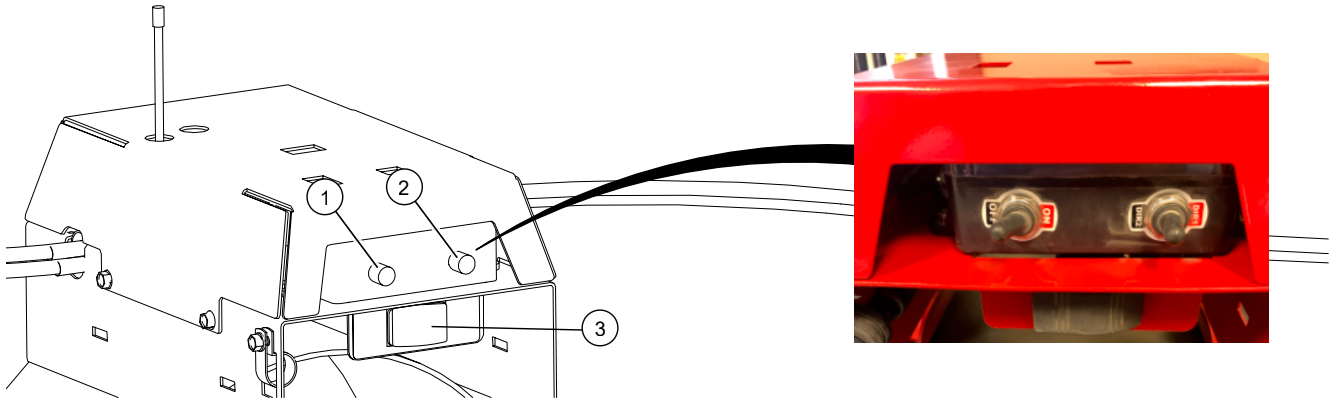
② red OFF button

③ green ON button

① power switch

② direction switch

③ rocker switch



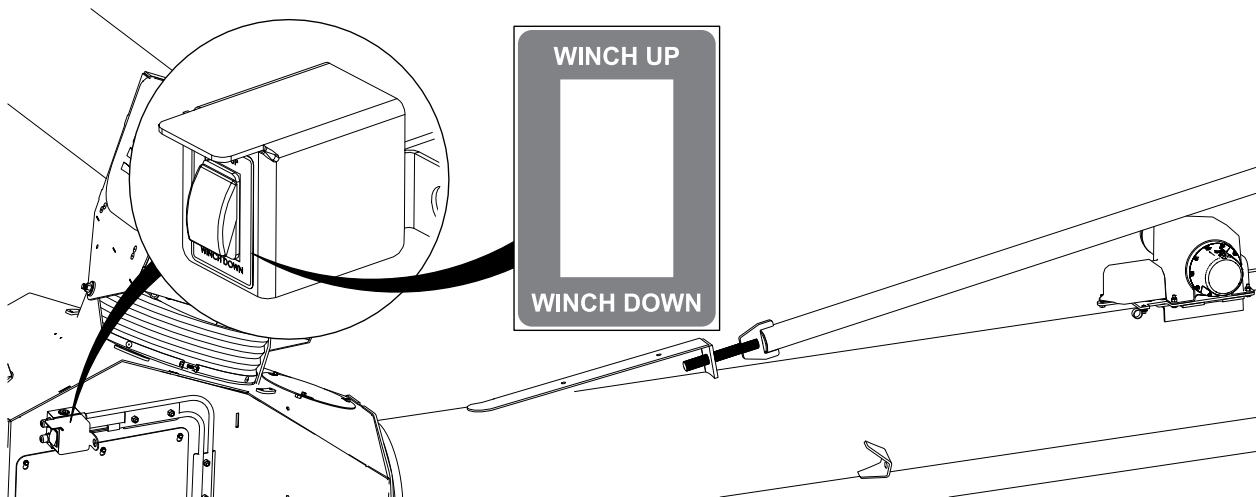
1. **Turn ON:** Press the **green button**.
2. Flip the rocker switch to change between operating the power swing or electric winch.
3. Move the **direction switch** to **Dir1** or **Dir2** to switch between moving the swing auger up and down, or side-to-side.
4. **Raise/lower or move the hopper:** Use the **yellow directional buttons** on the remote.
5. If the remote is unresponsive:
 - Press **red OFF button** > Press **green ON button** > Try again.

Boot Override Switch Operation

1. Use the switch on the boot to control the up/down movement of the swing auger.

Note

This acts as an override switch and controls the winch from the other functions.



Milltec is an AGI Brand.

AGI is a leading provider of equipment solutions for agriculture bulk commodities including seed, fertilizer, grain, and feed systems with a growing platform in providing equipment and solutions for food processing facilities. AGI has manufacturing facilities in Canada, the United States, the United Kingdom, Brazil, South Africa, India and Italy and distributes its products globally.

AGI MILLTEC

51-A, 1st Phase, KIADB Industrial Area, Bommasandra Bangalore-560099, India
 P +91.80.27831128 | F +91.80.27831129 | E milltec@milltecmachinery.com

AGGROWTH.COM agrowthintl
 ©Ag Growth International Inc. 2026 | Printed in India